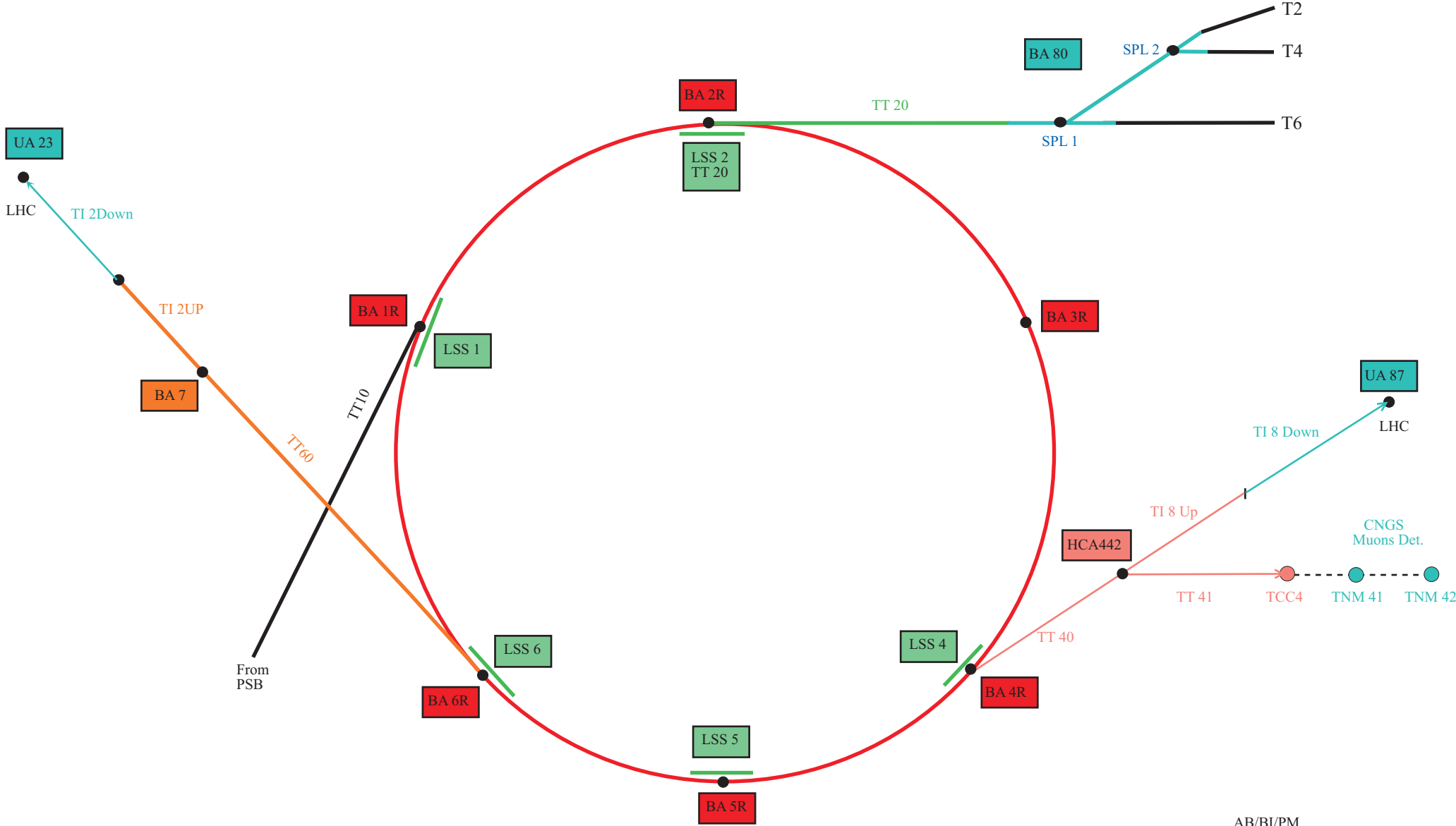
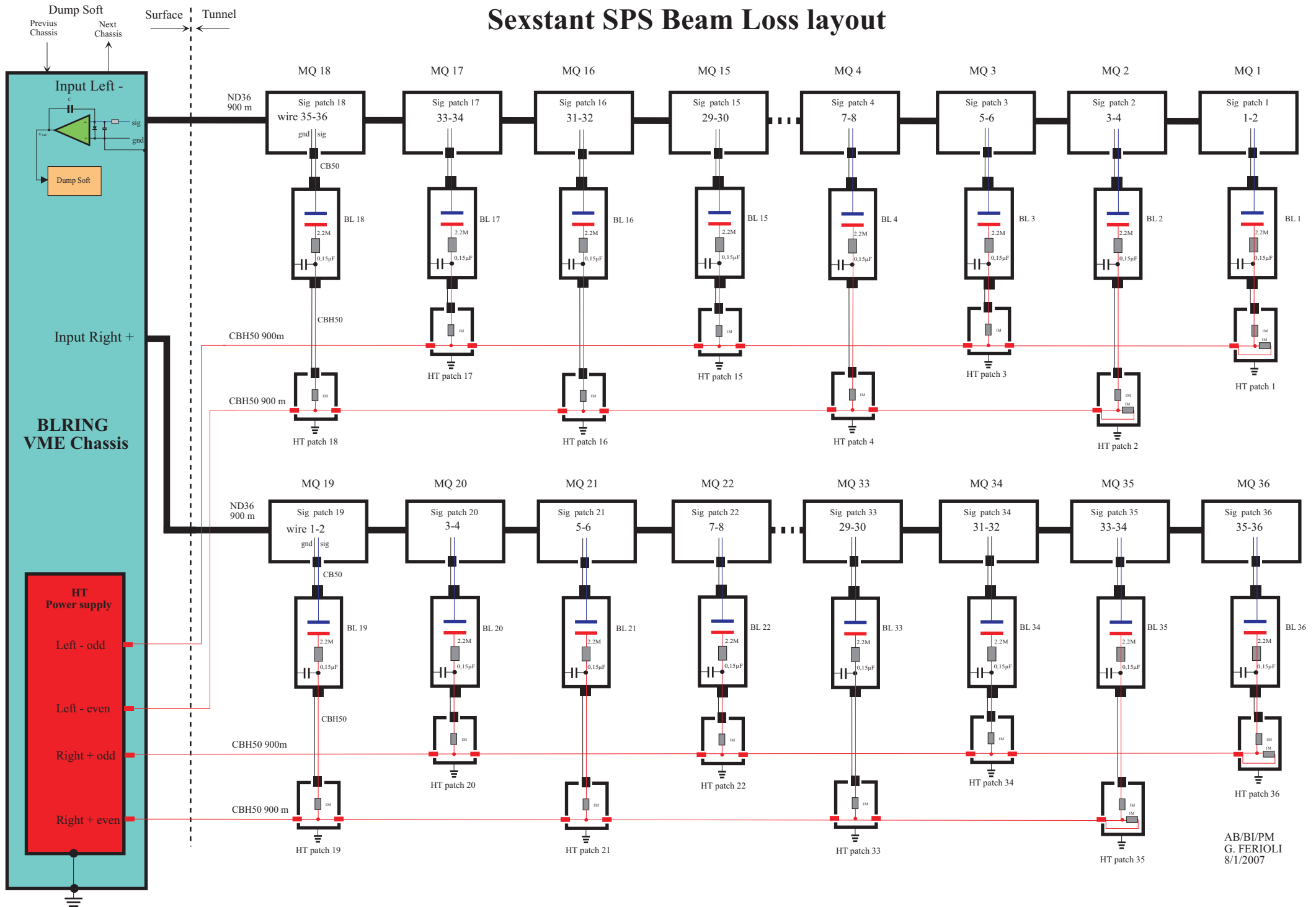


# LAYOUT OF BLM SPS SYSTEM

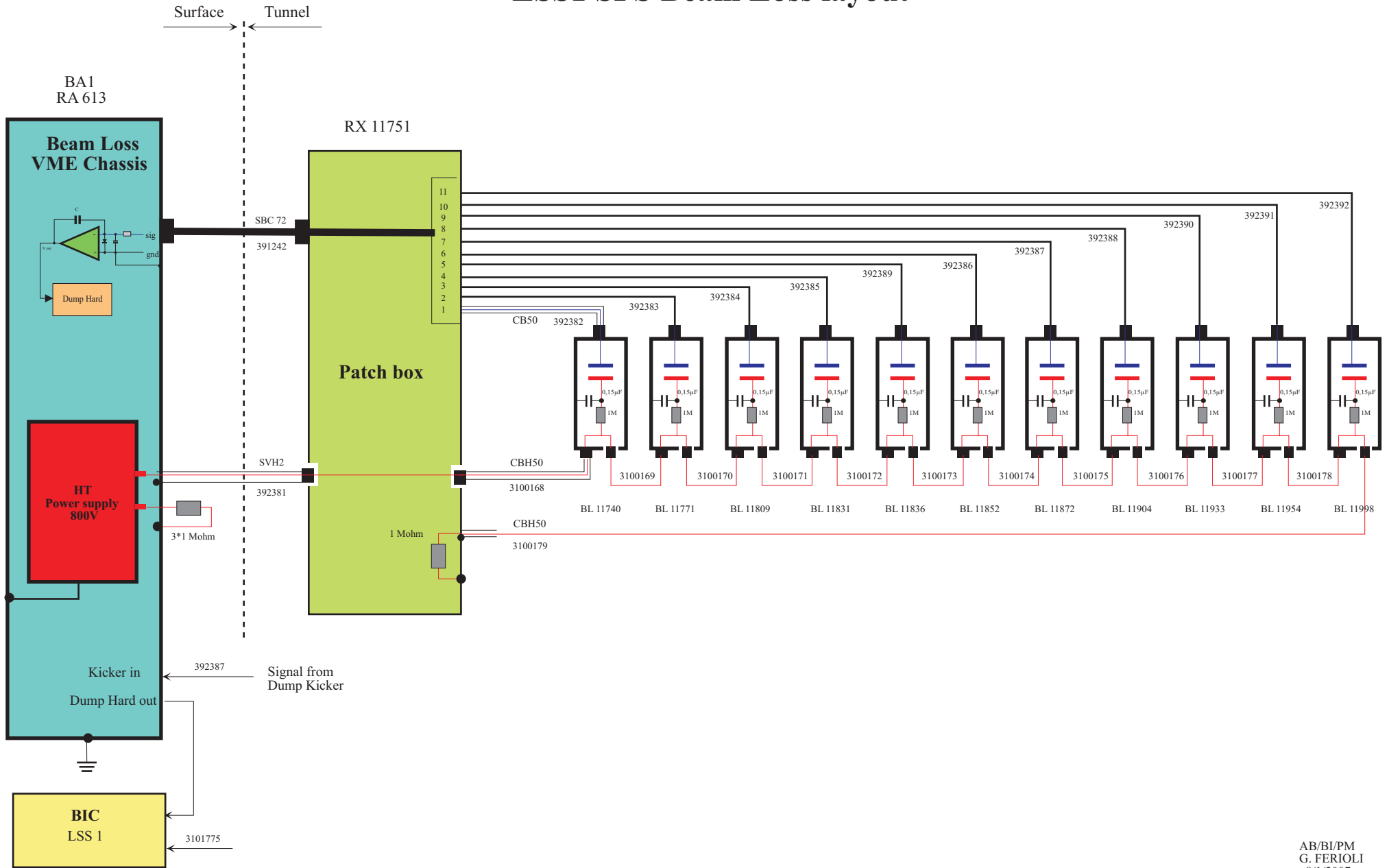
477 IC 18 VME chassis



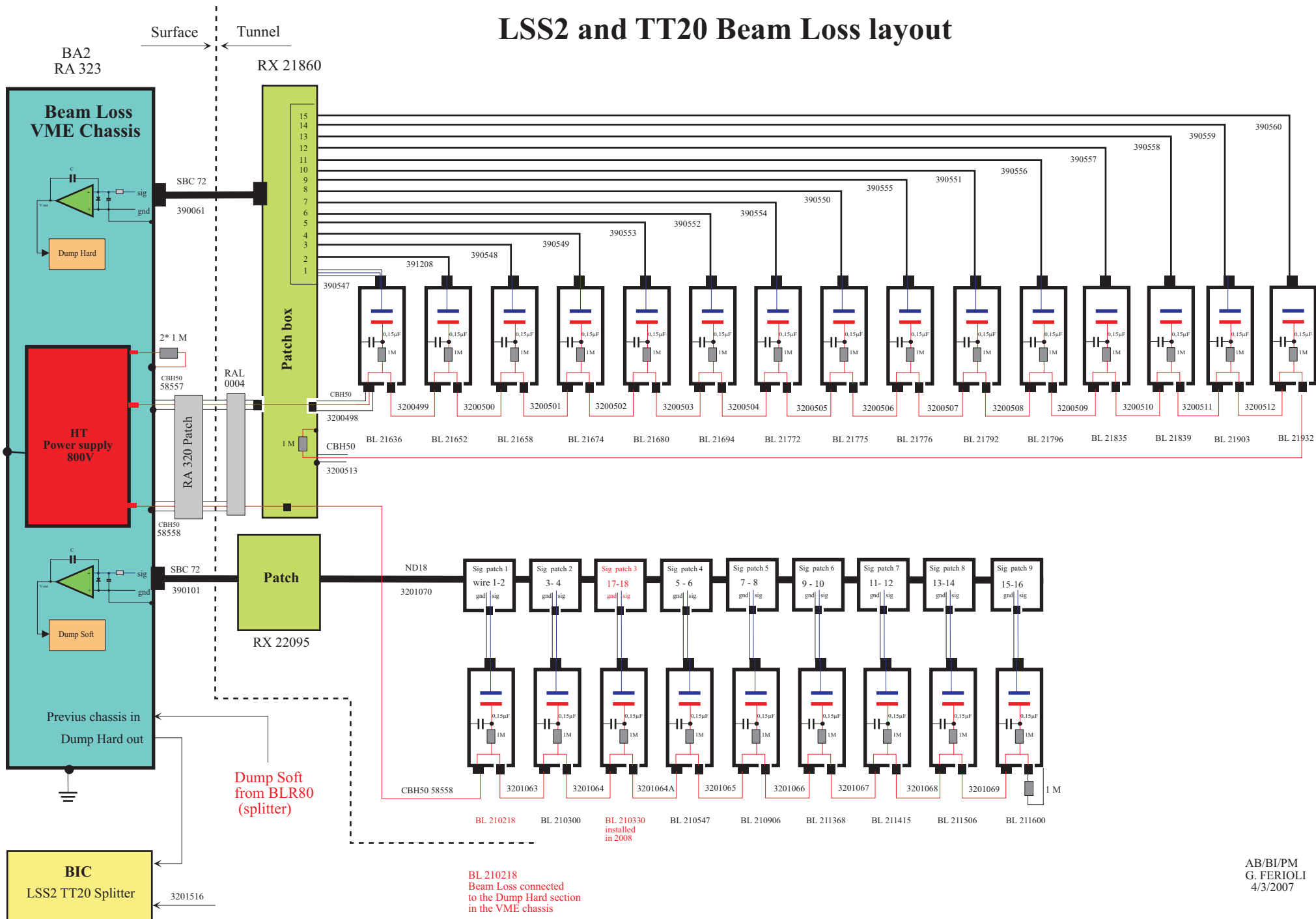
# Sexstant SPS Beam Loss layout



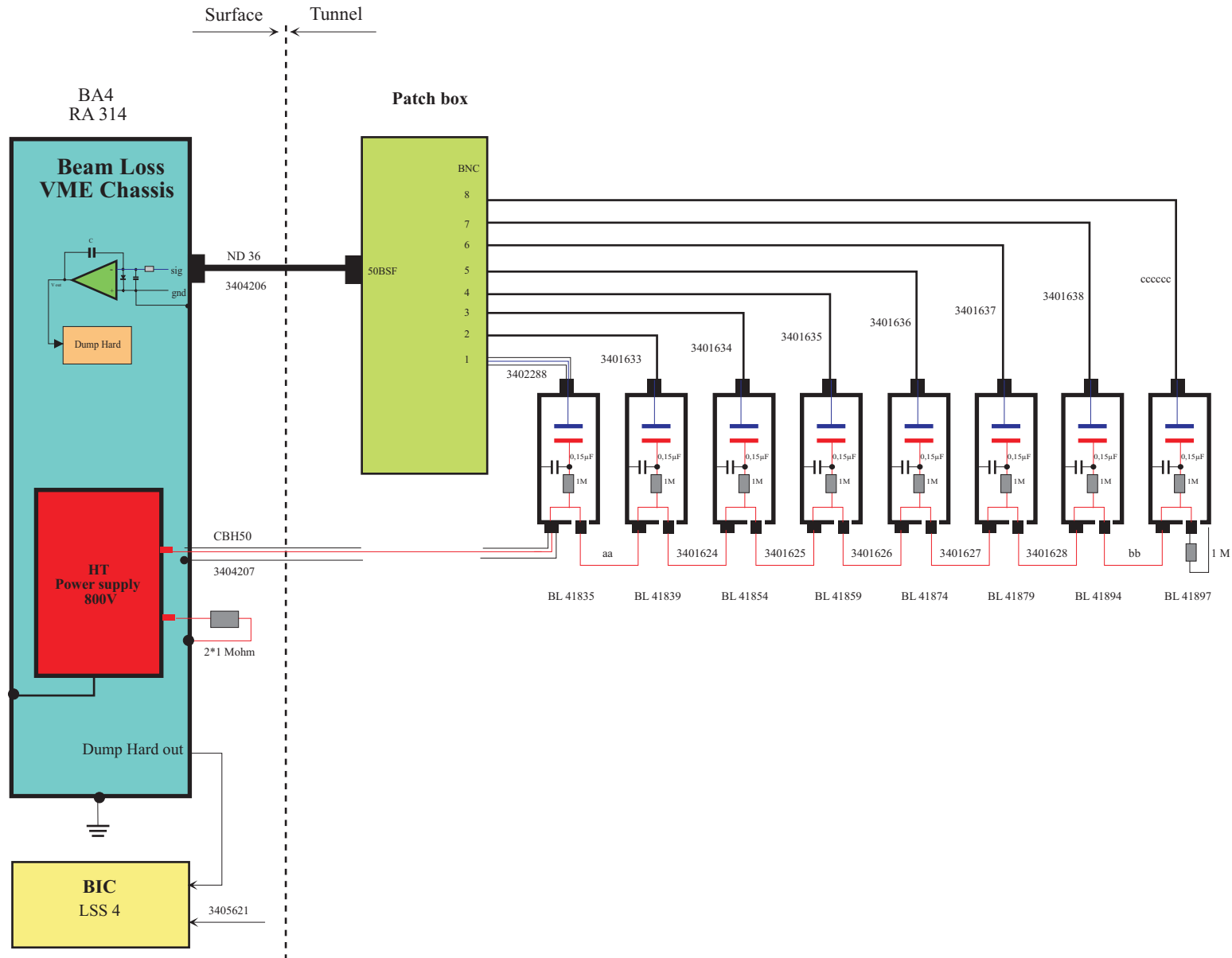
# LSS1 SPS Beam Loss layout



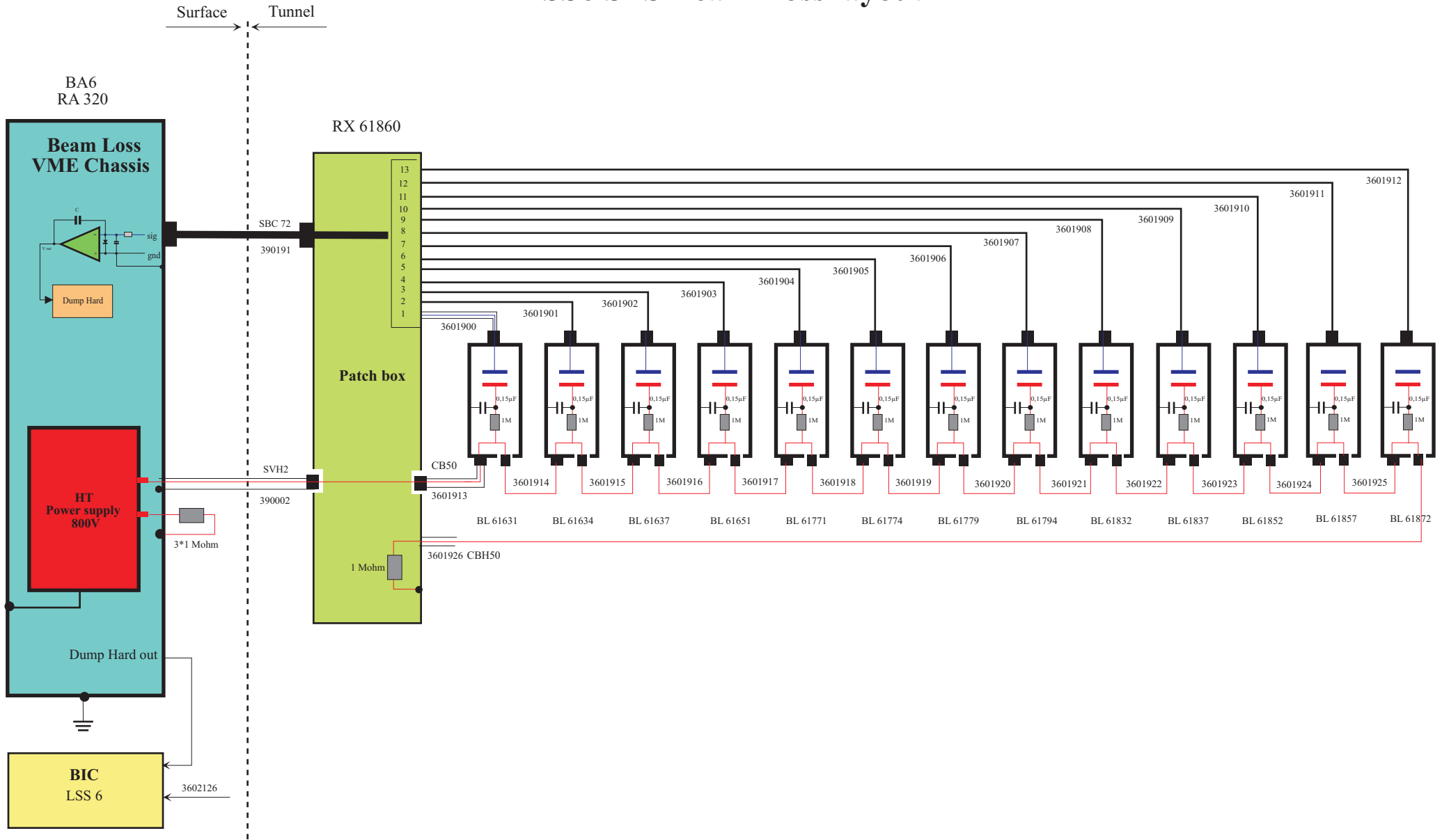
# LSS2 and TT20 Beam Loss layout



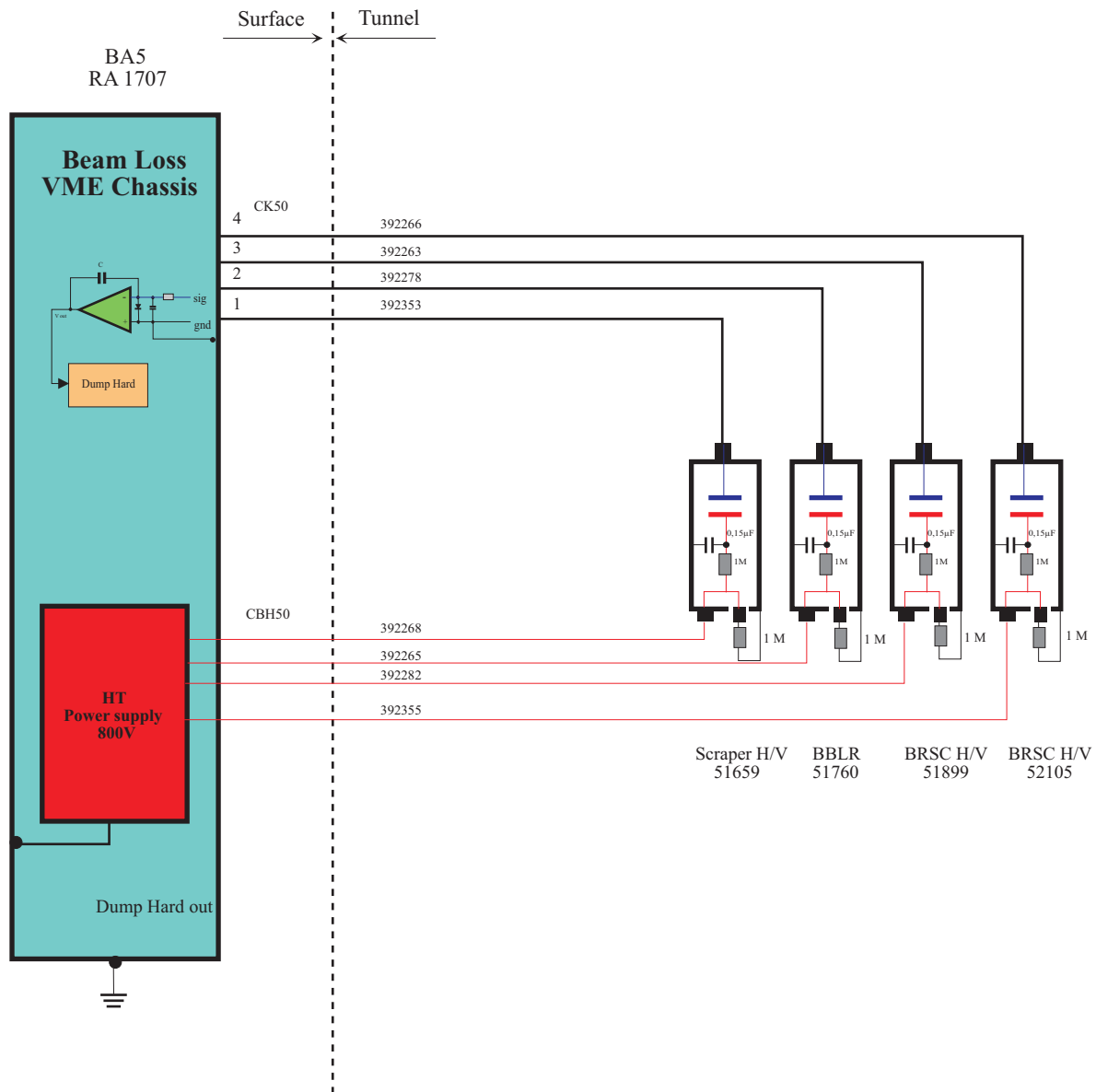
# LSS4 SPS Beam Loss layout



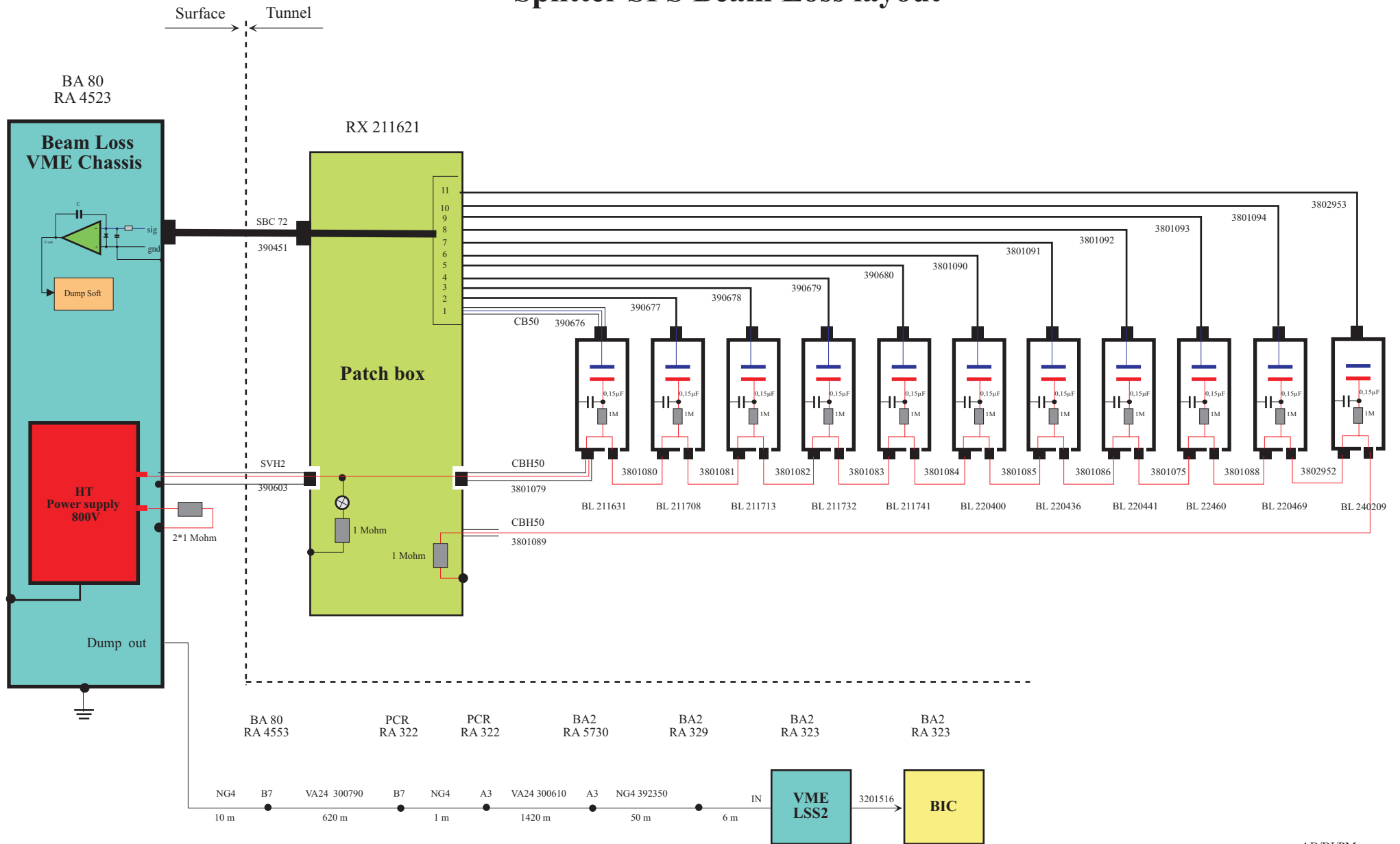
# LSS6 SPS Beam Loss layout



# LSS5 Collimator Beam Loss layout



# Splitter SPS Beam Loss layout





# TT60 and TI2 UP Beam Loss layout

BA7  
RA 3831

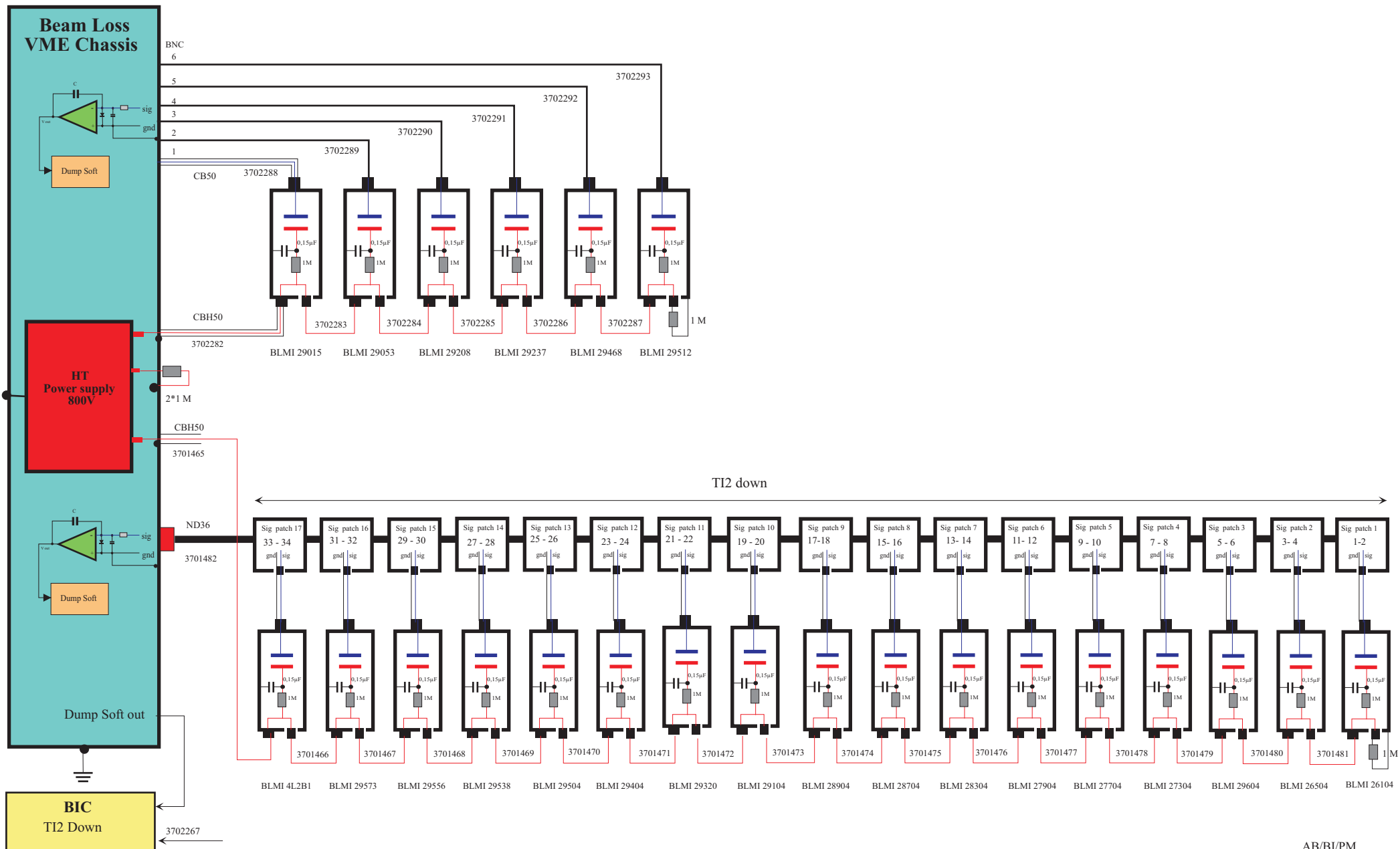
Surface ← Tunnel



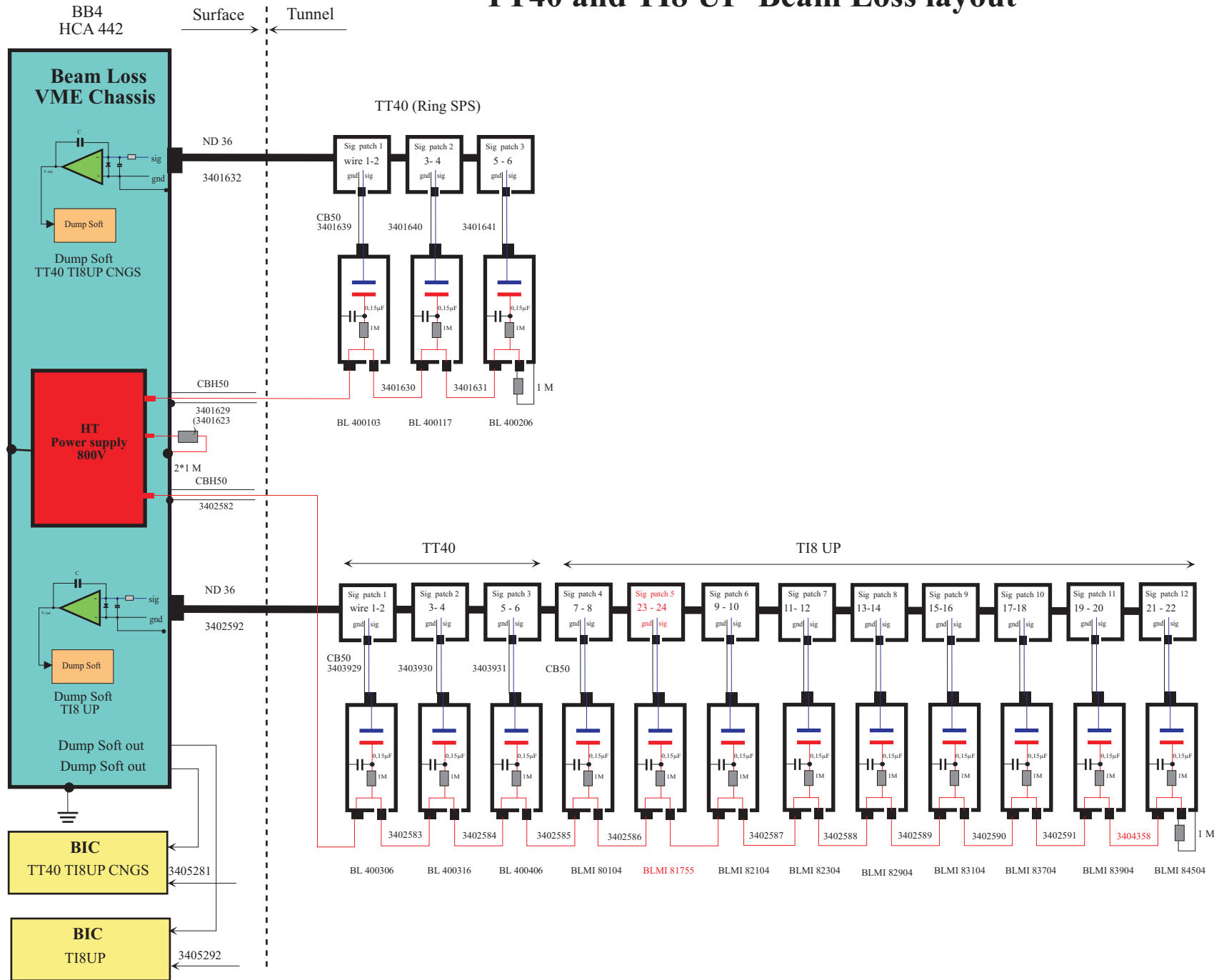
Tunnel

UA 23  
BY06

# TI2 down Beam Loss layout



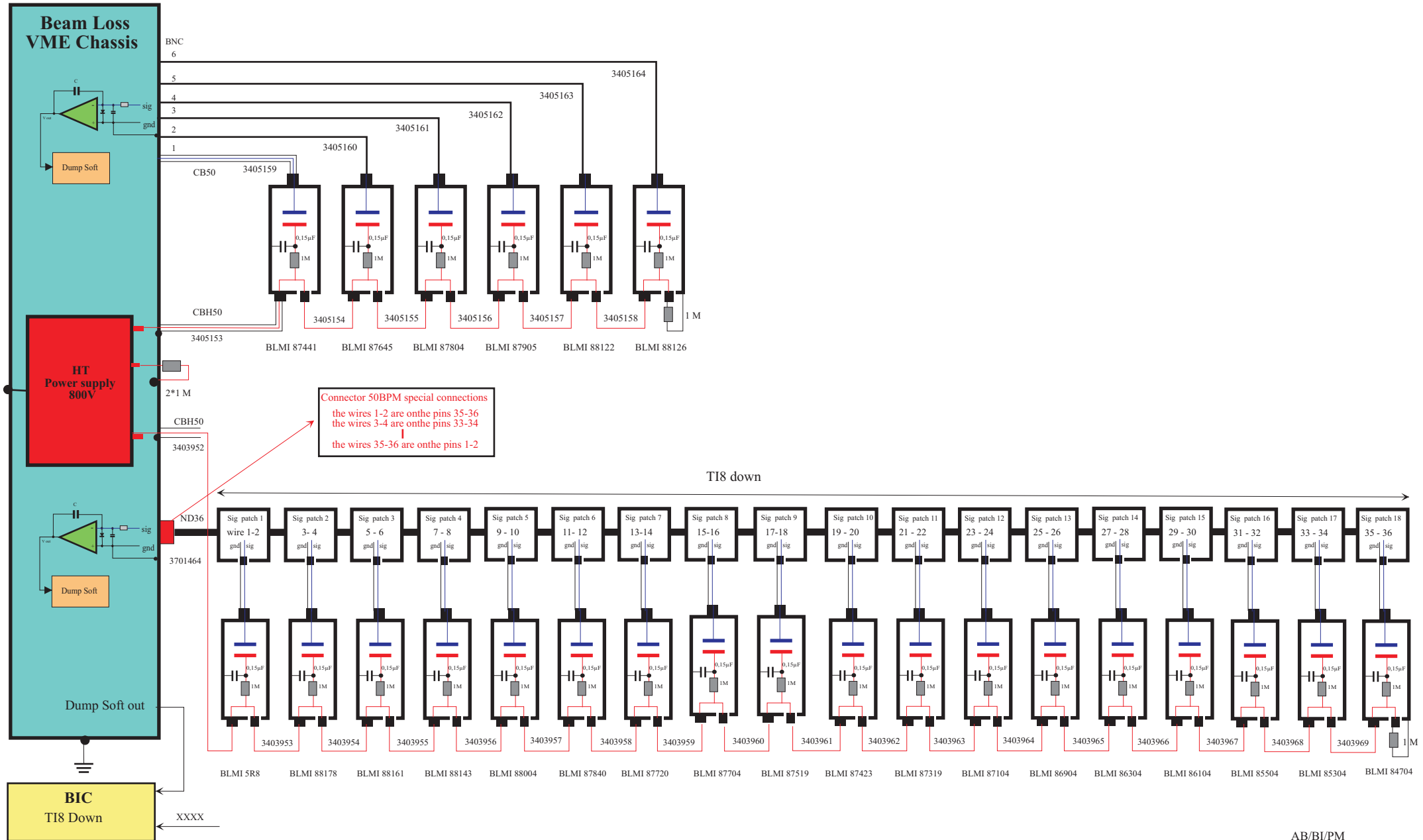
# TT40 and TI8 UP Beam Loss layout



Tunnel

UA 87  
BY07

# TI8 down Beam Loss layout



# TT41 and TBID Beam Loss layout

