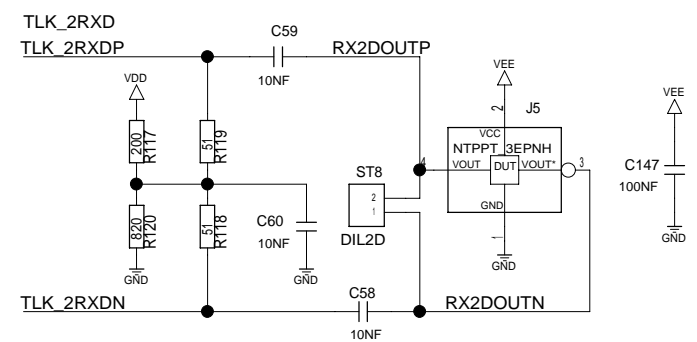
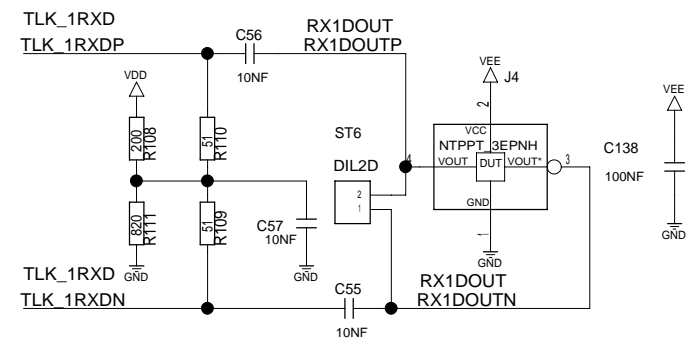
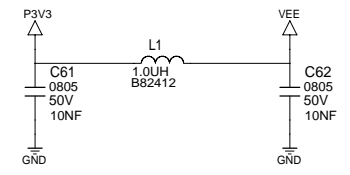
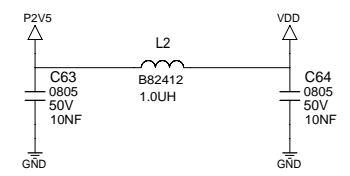
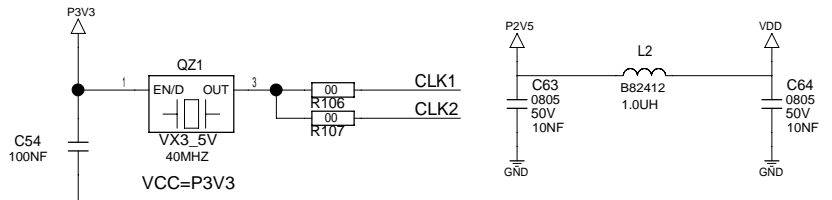
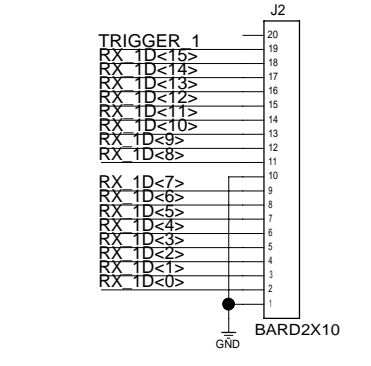
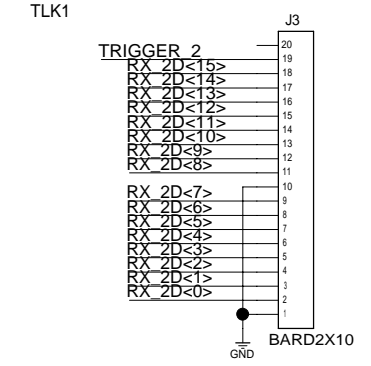

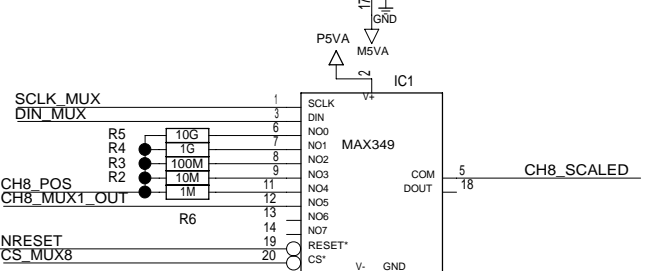
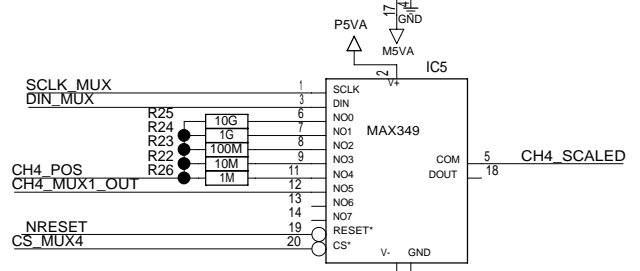
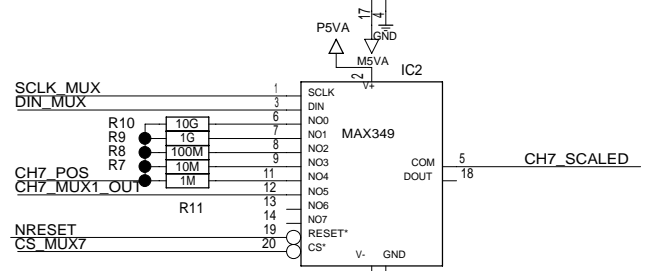
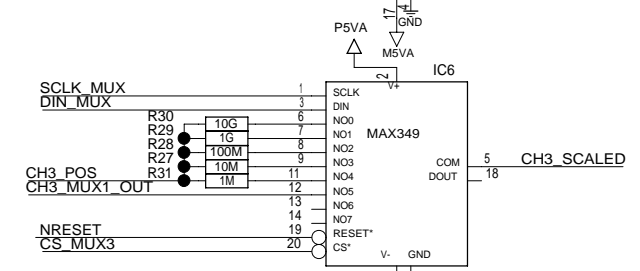
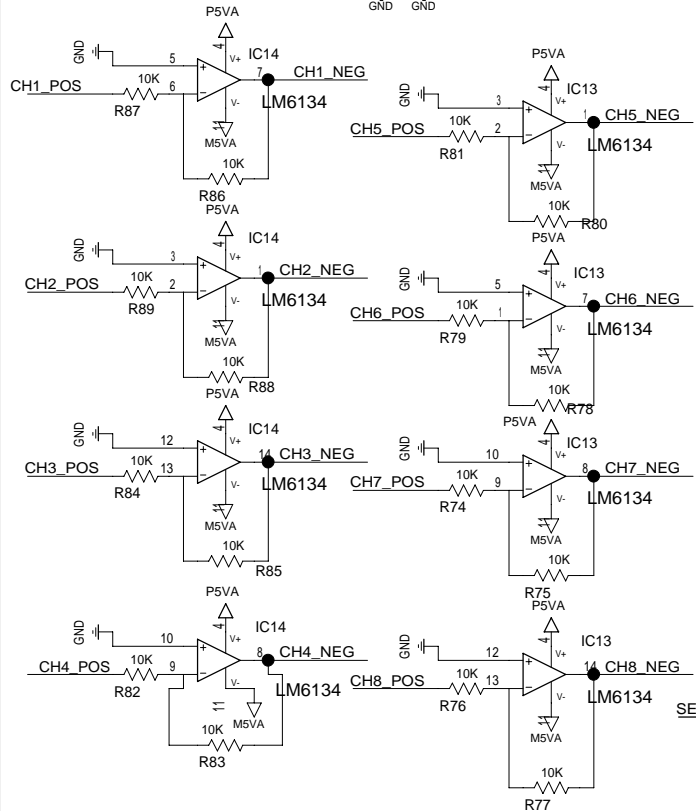
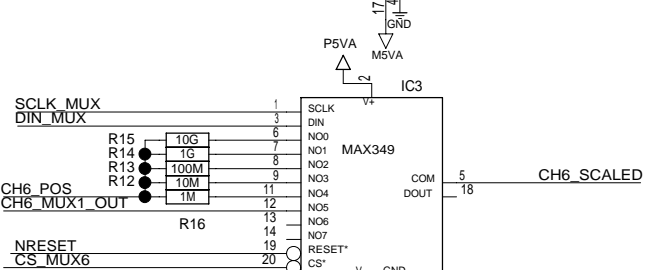
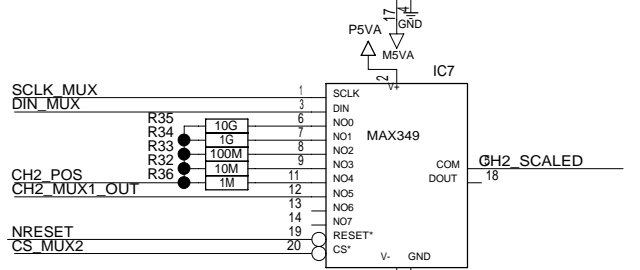
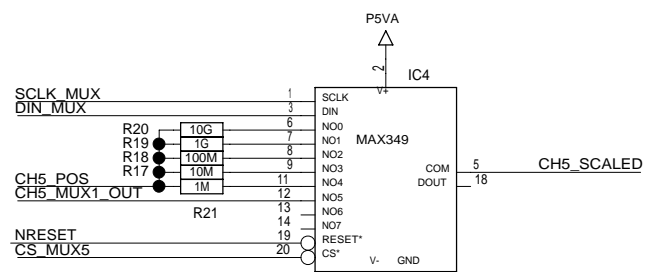
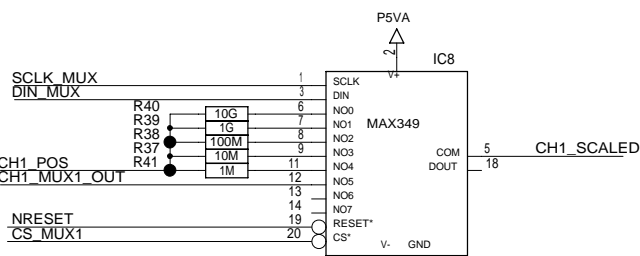
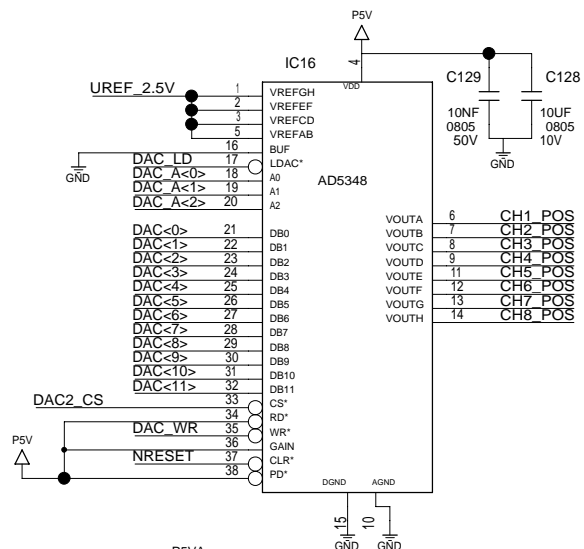


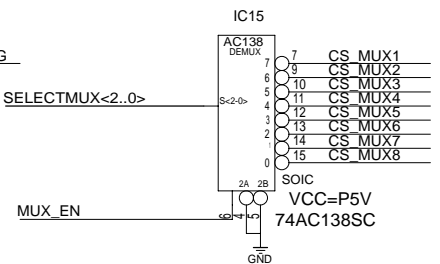
TESTSOCKET FOR LOGICANALYSER



EDMS REF: EDA-01329	VERSION: V1	PCB: EDA-01329-V1	SYSTEM: CADENCE 15
REF: BLMCFT	TITLE: BLM Current to Frequency Tester board		PAGE: 1/8
 DIV. 1211 GENEVA 23 SWITZERLAND	LAST_MODIFIED=Thu Apr 20 17:34:36 2006		
	DESSIN: AMECSPIE WB	ETUDE: J. EMERY	DATE: 28/03/06

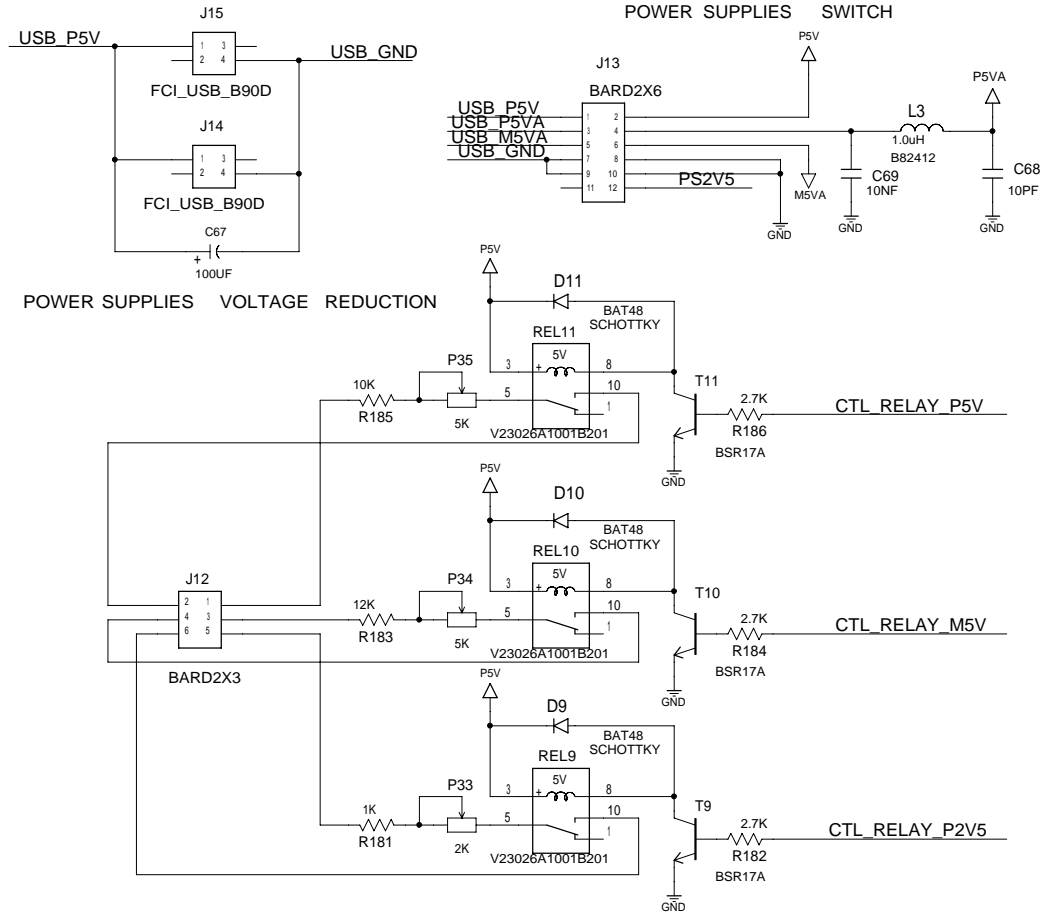


CONTROLS FOR ANALOGSWITCHES

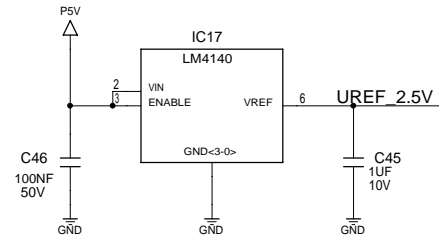


DAC1 AND DAC2, ANALOG SWITCH AND MUX FOR ANALOGSWITCHCONTROL

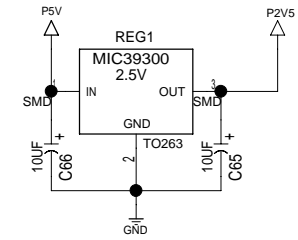
EDMS REF: EDA-01329		VERSION: V1		PCB: EDA-01329-V1		SYSTEM: CADENCE 15	
REF: BLMCFT				TITLE: BLM Current to Frequency Tester board			
 DIV. 1211 GENEVA 23 SWITZERLAND		ABBREV: CFT		PAGE: 2/8		DATE: 28/03/06	
		LAST_MODIFIED=Thu Apr 20 09:29:50 2006		DESSIN: AMECSPIE WB		ETUDE: J. EMERY	



VOLTAGE REFERENCE OF 2.5V FOR THE DACs

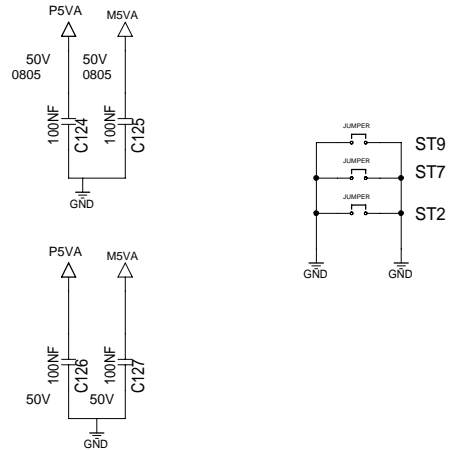


POWERSUPPLY FOR TLK



POWER SUPPLIES VOLTAGE REDUCTION

BUFFERCAPACITANCE FOR INVERTER FOR CFC-TEST

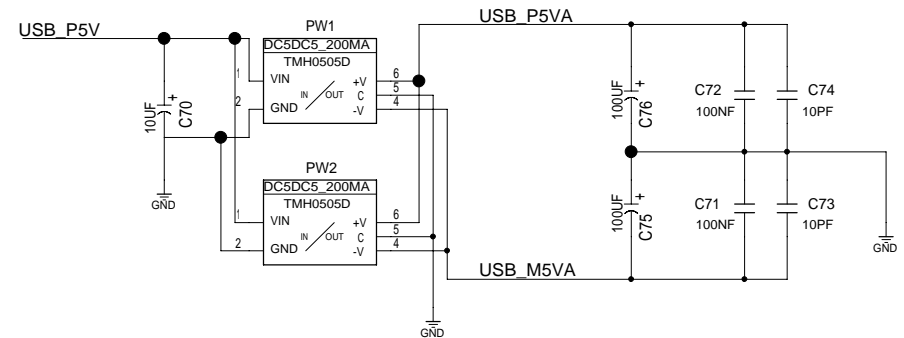


CTL RELAY P5V

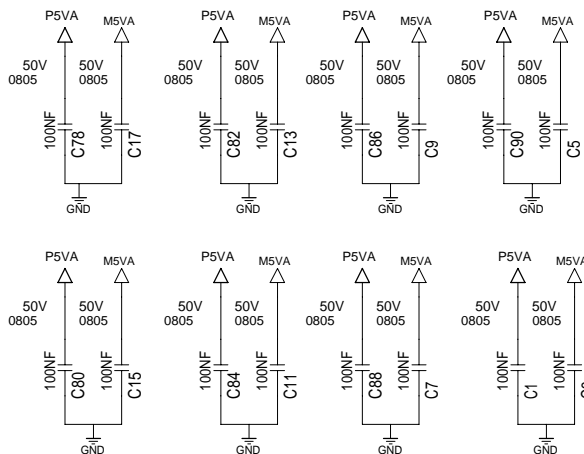
CTL RELAY M5V

CTL RELAY P2V5

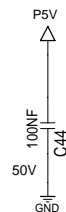
DUAL SUPPLY MODUL FOR DAC_OUTPUT AND HV-MODULATION




BUFFER_CAPACITANCE FOR CFC-CHANNELTEST MUX

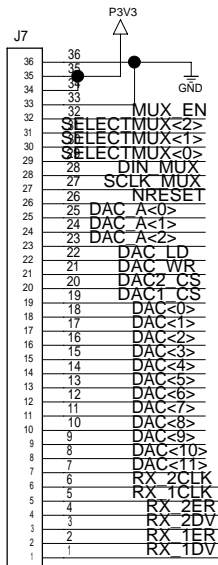


CAP FOR ACT138



EDMS REF: EDA-01329	VERSION: V1	PCB: EDA-01329-V1	SYSTEM: CADENCE 15
REF: BLMCFT	TITLE: BLM Current to Frequency Tester board		PAGE: 3/8
 DIV. 1211 GENEVA 23 SWITZERLAND	LAST_MODIFIED=Wed Apr 19 17:30:03 2006		DATE: 28/03/06
	DESSIN: AMECSPIE WB	ETUDE: J. EMERY	

PARALLAX_NORD



MUX CONTROL FOR SCALING THE INPUTS FOR THE CFC-CHANNELS

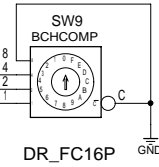
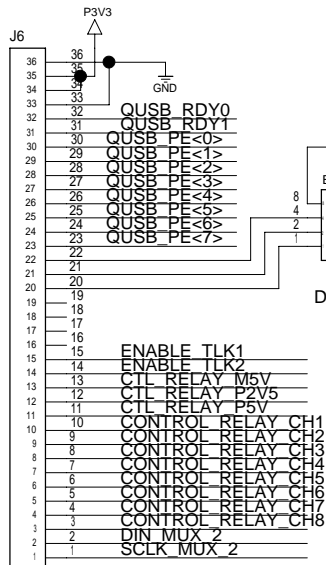
GLOBAL RESET

DAC DATA, CONTROL, POWERDOWN

CONTROLSIGNALS FROM TLK1 AND TLK2

BAR2X18MD

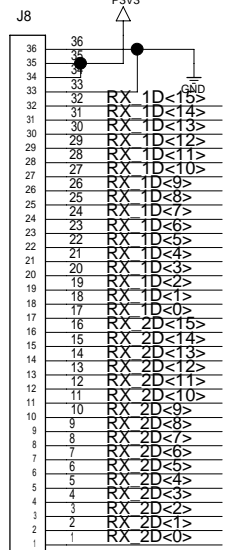
PARALLAX_WEST



ENABLE TLK1
 ENABLE TLK2
 CTL RELAY M5V
 CTL RELAY P2V5
 CTL RELAY P5V
 CONTROL RELAY CH1
 CONTROL RELAY CH2
 CONTROL RELAY CH3
 CONTROL RELAY CH4
 CONTROL RELAY CH5
 CONTROL RELAY CH6
 CONTROL RELAY CH7
 CONTROL RELAY CH8

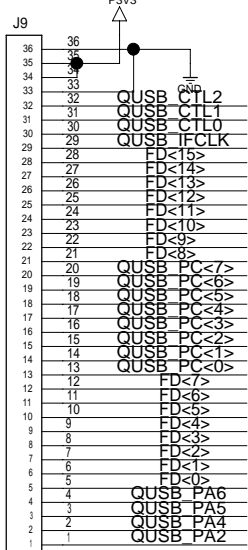
BAR2X18MD

PARALLAX_EAST

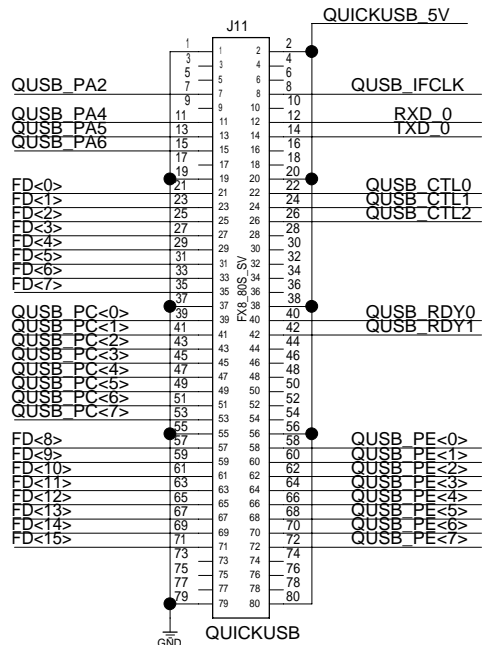


BAR2X18MD

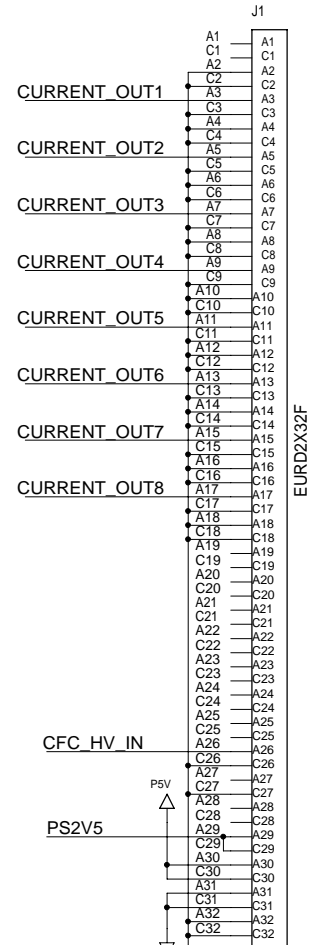
PARALLAX_SOUTH



BAR2X18MD

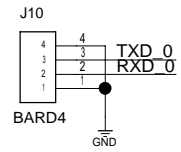


TESTPIN FOR HOLE NEXT TO QUICKUSB CONN.
 PADSTACK WILL BE CHANGED IN PCB EDITOR TO HOLE.

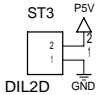


EURD2X32F

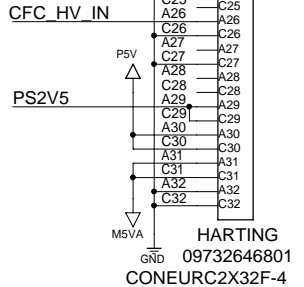
RS232 QUICKUSB - PARALLAX



DATA FROM TLKS



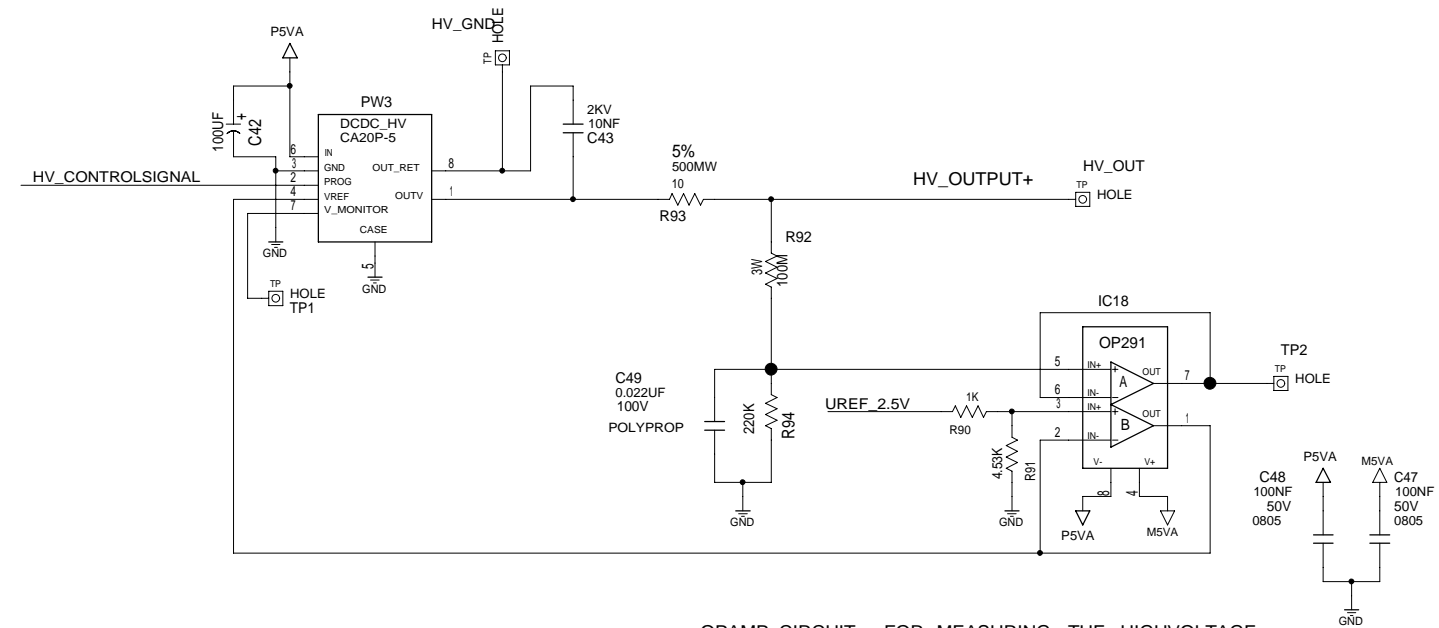
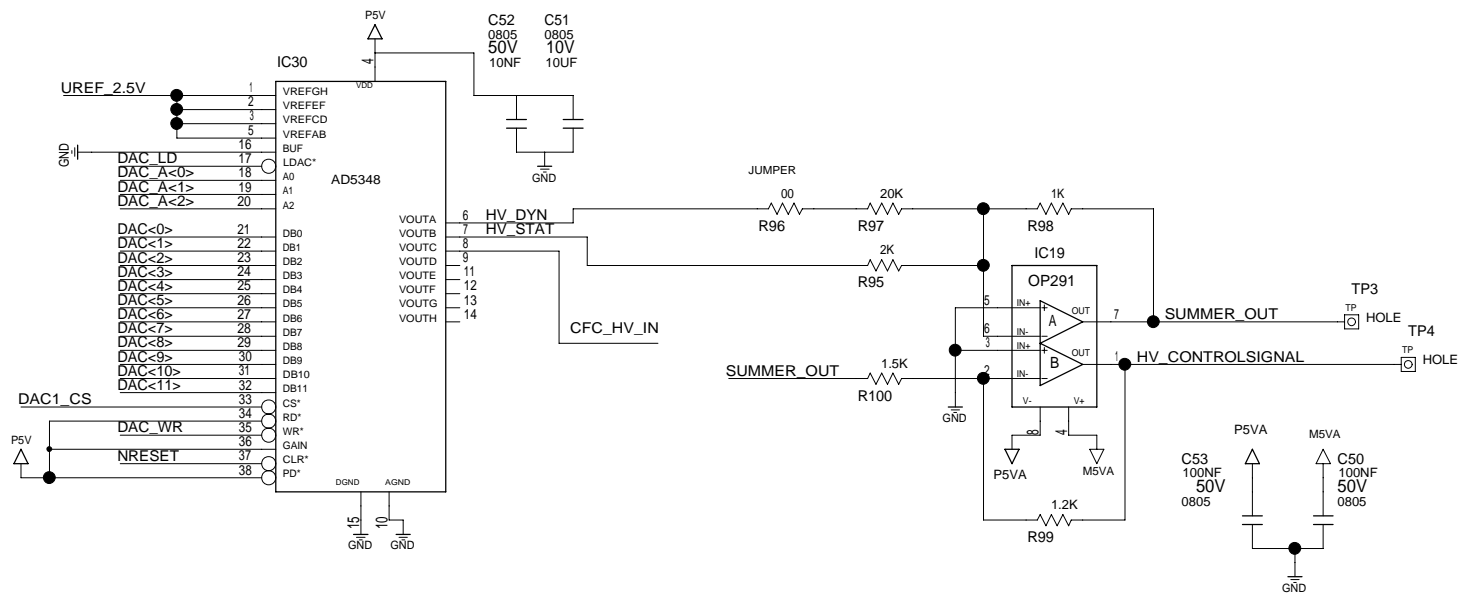
POWER SUPPLY FOR PARALLAX BOARD



HARTING 09732646801
 CONEURC2X32F-4


CONNECTORS TO FPGA

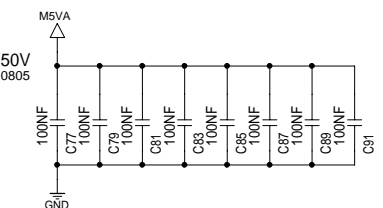
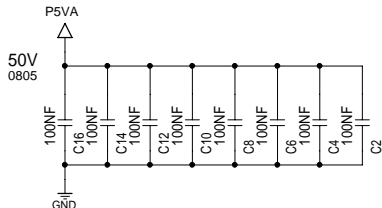
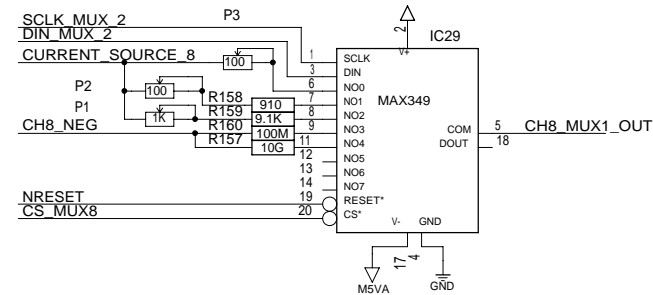
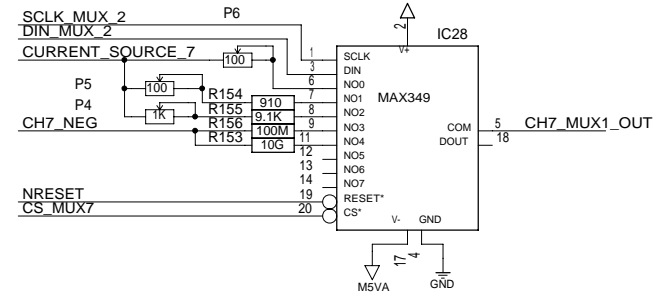
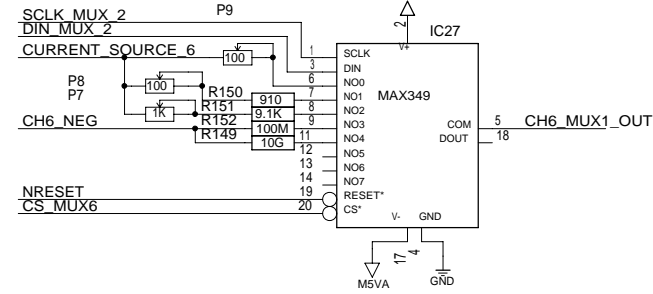
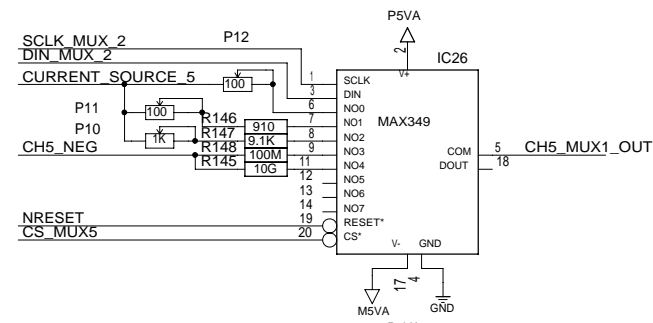
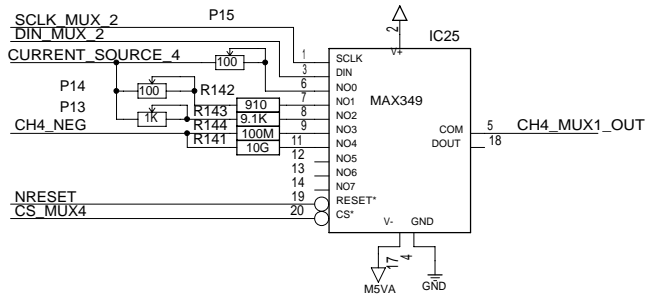
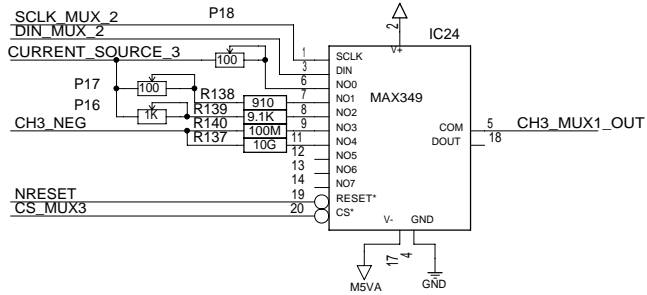
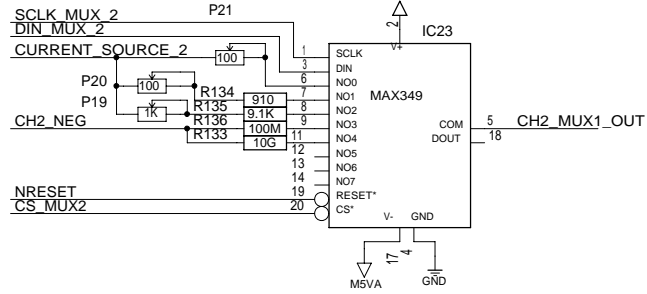
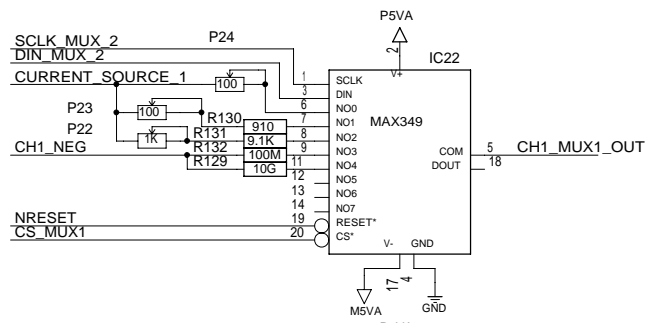
EDMS REF: EDA-01329	VERSION: V1	PCB: EDA-01329-V1	SYSTEM: CADENCE 15
REF: BLMCFT	TITLE: BLM Current to Frequency Tester board		PAGE: 4/8
	DIV. 1211 GENEVA 23 SWITZERLAND	LAST_MODIFIED=Wed Apr 19 17:28:29 2006	DESSIN: AMECSPIE WB ETUDE: J. EMERY DATE: 28/03/06




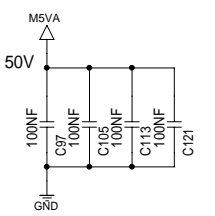
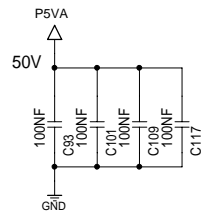
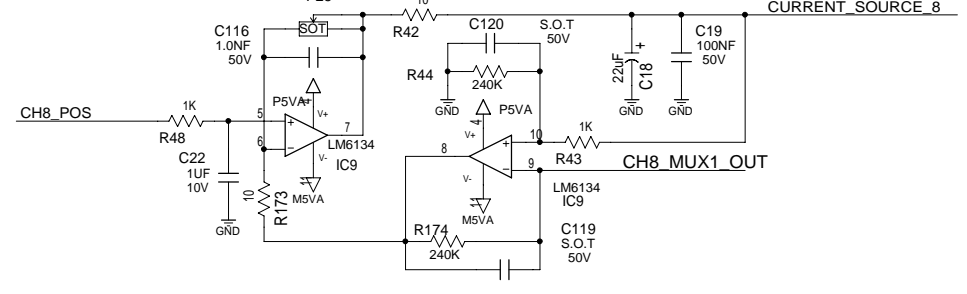
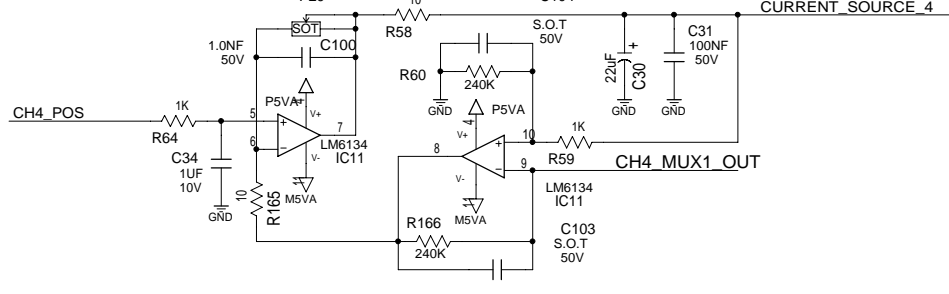
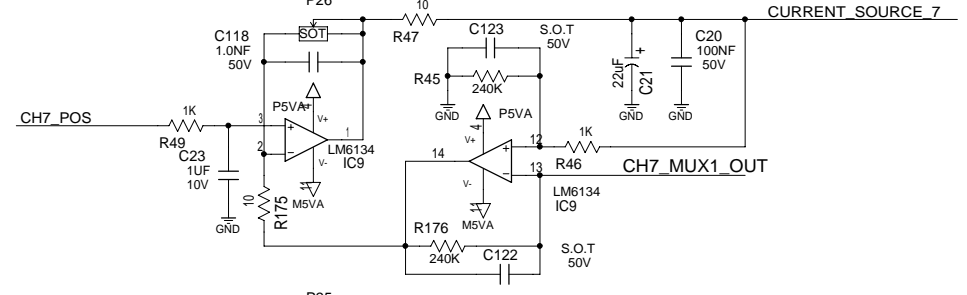
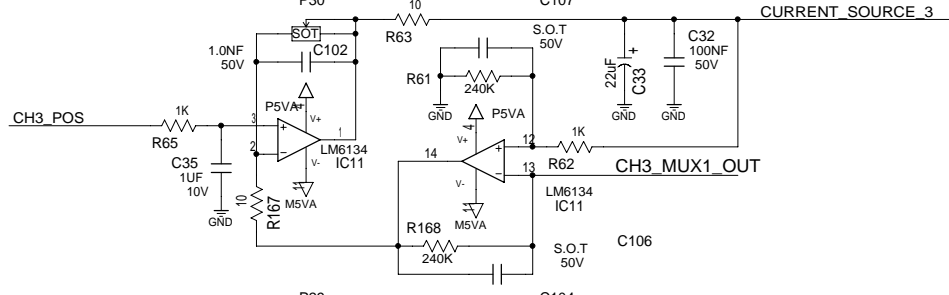
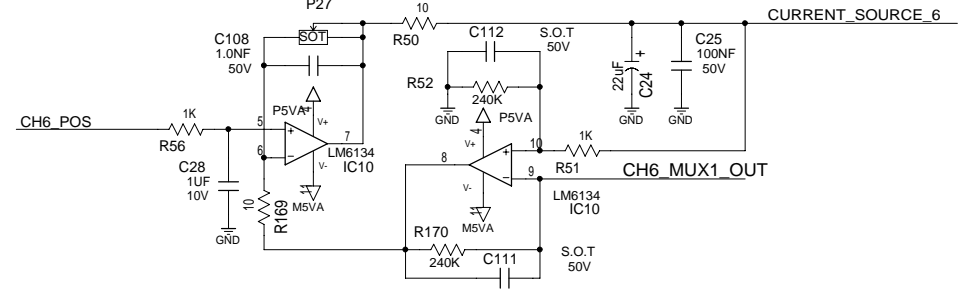
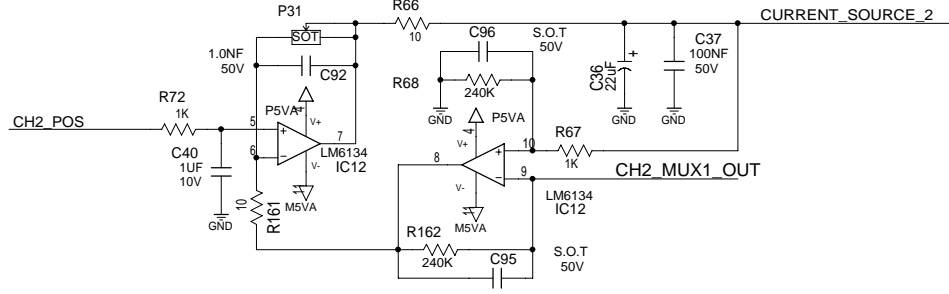
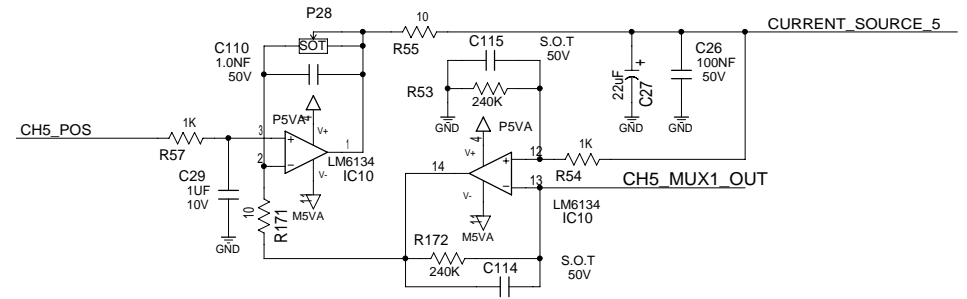
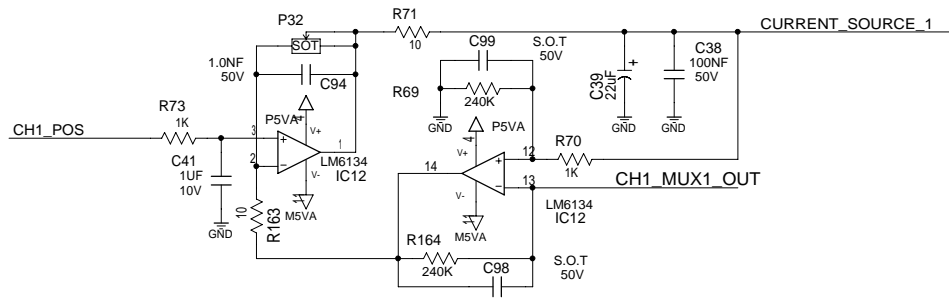
OPAMP CIRCUIT FOR MEASURING THE HIGHVOLTAGE


HV_MODULATION

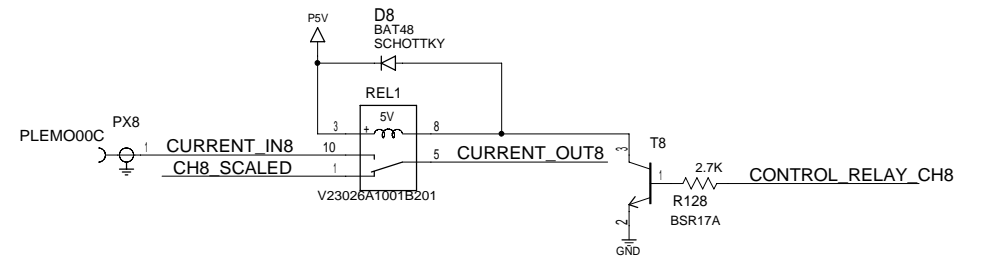
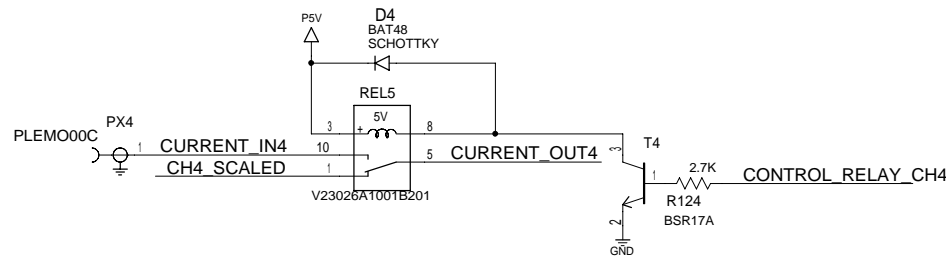
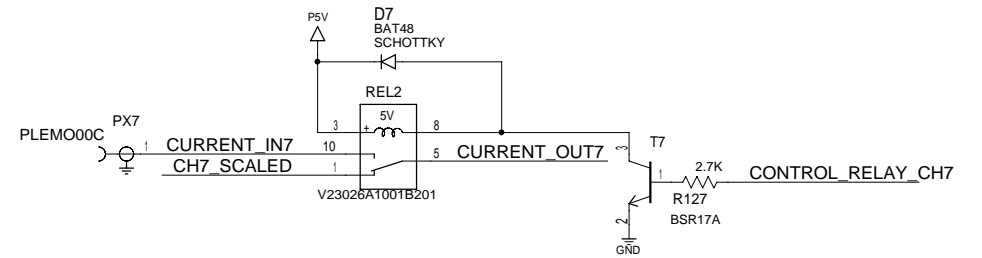
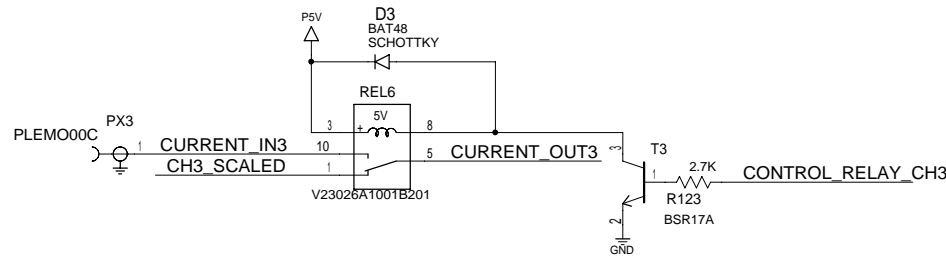
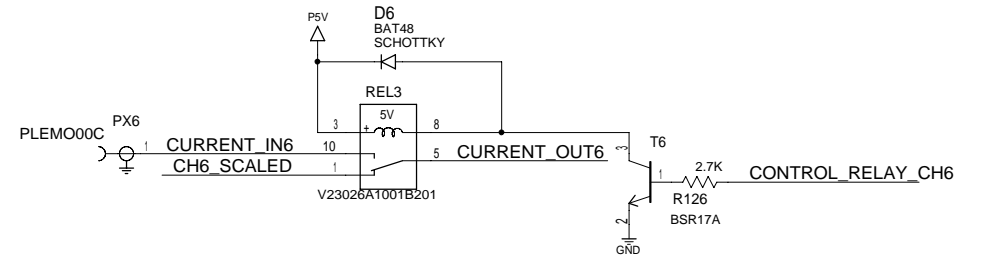
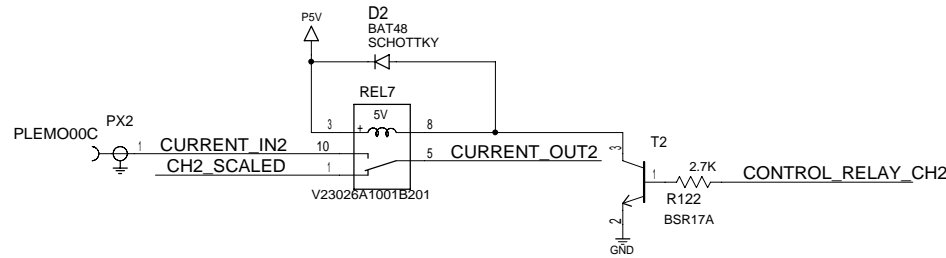
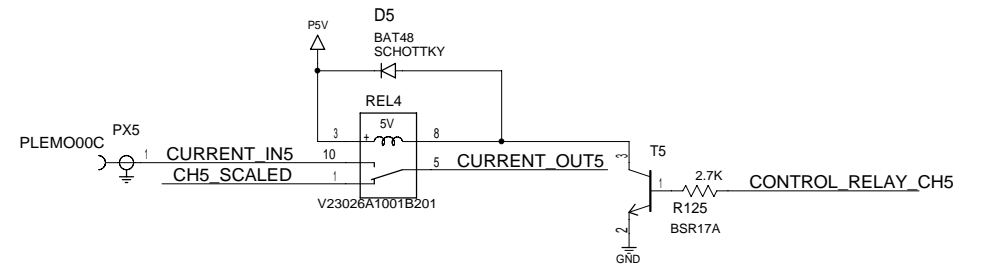
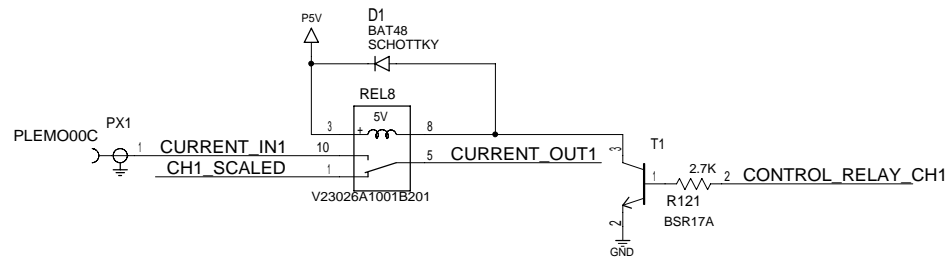
EDMS REF: EDA-01329	VERSION: V1	PCB: EDA-01329-V1	SYSTEM: CADENCE 15
REF: BLMCFT	TITLE: BLM Current to Frequency Tester board		ABBREV: CFT
 DIV. 1211 GENEVA 23 SWITZERLAND	LAST_MODIFIED=Thu Apr 20 17:34:28 2006		PAGE: 5/8
	DESSIN: AMECSPIE WB	ETUDE: J. EMERY	DATE: 28/03/06




EDMS REF: EDA-01329	VERSION: V1	PCB: EDA-01329-V1	SYSTEM: CADENCE 15
REF: BLMCFT	TITLE: BLM Current to Frequency Tester board		PAGE: 6/8
 DIV. 1211 GENEVA 23 SWITZERLAND	LAST_MODIFIED=Wed Apr 19 17:28:32 2006		
	DESSIN: AMECSPIE WB	ETUDE: J. EMERY	DATE: 28/03/06



EDMS REF: EDA-01329	VERSION: V1	PCB: EDA-01329-V1	SYSTEM: CADENCE 15
REF: BLMCFT	TITLE: BLM Current to Frequency Tester board		PAGE: 7/8
 DIV. 1211 GENEVA 23 SWITZERLAND	LAST_MODIFIED=Thu Apr 20 14:58:41 2006		DATE: 28/03/06
	DESSIN: AMECSPIE WB	ETUDE: J. EMERY	



EDMS REF: EDA-01329	VERSION: V1	PCB: EDA-01329-V1	SYSTEM: CADENCE 15
REF: BLMCFT	TITLE: BLM Current to Frequency Tester board		ABBREV: CFT
 DIV. 1211 GENEVA 23 SWITZERLAND	LAST_MODIFIED=Wed Apr 19 17:28:34 2006		PAGE: 8/8
	DESSIN: AMECSPIE WB	ETUDE: J. EMERY	DATE: 28/03/06