

CFPS-72, -73

ISSUE 1; 7 OCTOBER 1999

Delivery Options

- Please contact our sales office for current leadtimes

Output Compatibility

- Tri-state HCMOS/TTL (5.0V) (CFPS-72)
- Tri-state HCMOS (3.3V) (CFPS-73)

Package Outline

- SMD (surface mount device) ceramic package. Available over 0 to 70°C (CFPS-72, -73) or -40 to 85°C (CFPS-72I, -73I)

Standard Frequency Stabilities

- ± 25 ppm (not available over -40 to 85°C), ± 50 ppm, ± 100 ppm (inclusive of supply voltage & output load variations over the operating temperature range)

Operating Temperature Range

- 0 to 70°C (CFPS-72, -73)
- -40 to 85°C (CFPS-72I, -73I)

Storage Temperature Range

- -55 to 125°C

Tri-state Operation

- Logic '1' to pad 1 enables oscillator output, 2.2V min
- Logic '0' to pad 1 disables oscillator output; when disabled the oscillator output goes to the high impedance state, 0.8V max
- No connection to pad 1 enables oscillator output

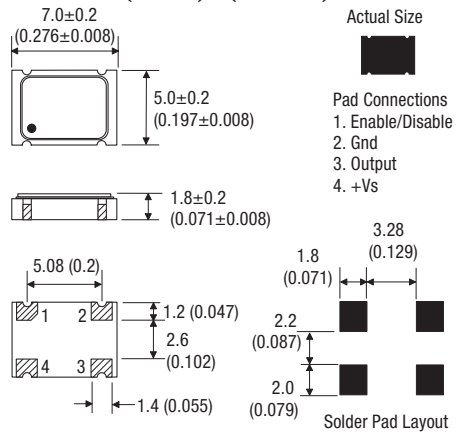
Marking

- Model number (+ Operating Temperature Code; if applicable)
- Frequency Stability Code
- Frequency

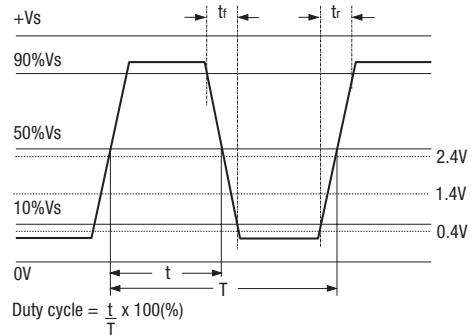
Minimum Order Information Required

- Frequency + Model Number + Operating Temperature Code (if applicable) + Frequency Stability

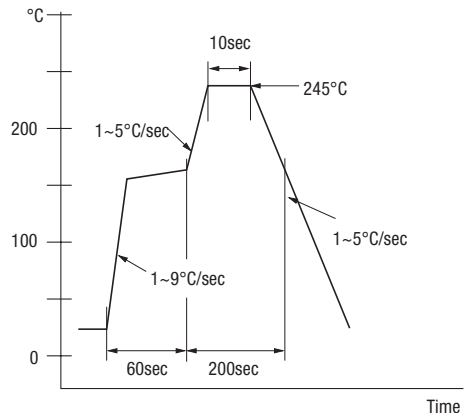
Outline in mm (inches) - (scale 2:1)



Output Waveform



Typical Solder Condition - Infrared Reflow



SURFACE MOUNT
SPXOs

Electrical Specification – maximum limiting values when measured in HCMOS test circuit

Frequency Range	Frequency Stability	Supply Voltage	Supply Current	Rise Time (t _r)	Fall Time (t _f)	Duty Cycle	Model Number
1.544 to 20.0MHz	±25ppm, ±50ppm, ±100ppm	5.0V±0.5V	20mA	10ns	10ns	40/60%	CFPS-72, -72I
		3.3V±0.3V	10mA	10ns	10ns	40/60%	CFPS-73, -73I
> 20.0 to 70.0MHz	±25ppm, ±50ppm, ±100ppm	5.0V±0.5V	40mA	6ns	6ns	40/60%	CFPS-72, -72I
		3.3V±0.3V	20mA	6ns	6ns	40/60%	CFPS-73, -73I

Ordering Example

24.0MHz CFPS-73I C

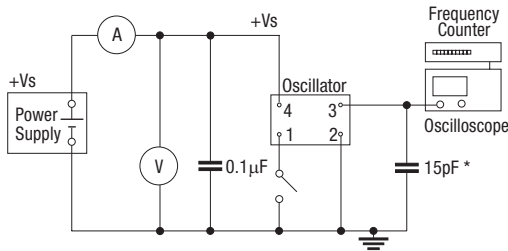
Frequency _____

Model No _____

Operating Temperature Code: I= -40 to 85°C Not applicable for -10 to 70°C _____

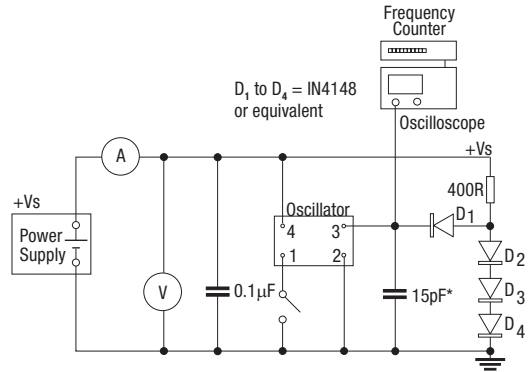
Frequency Stability: A = ±25ppm (not available over -40 to 85°C); B = ±50ppm; C = ±100ppm _____

Test Circuit - HCMOS



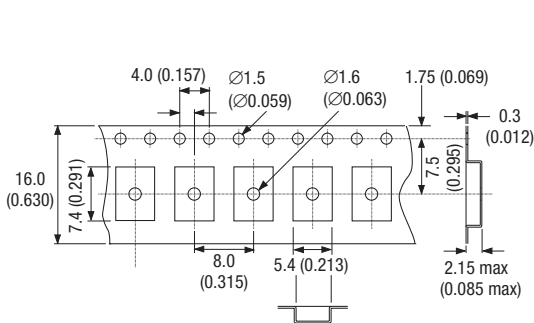
* Inclusive of jigging & equipment capacitance

Test Circuit - TTL



*Inclusive of jigging & equipment capacitance
Note: CFPS-72, 72I only

Outline in mm (inches) - Tape



Outline in mm (inches) - Reel (scale 1:8)

