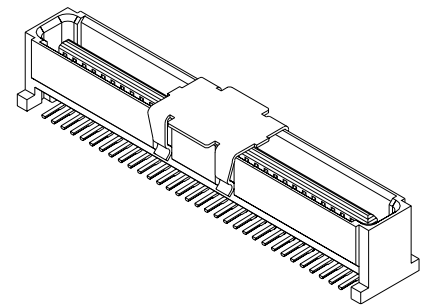




1.00mm (.039") Mezzanine IEEE 1386 Board-to-Board Plug

71436 Dual Row, SMT Vertical Stacking



FEATURES AND SPECIFICATIONS

Features and Benefits

- Mated heights: 8, 9, 10, 11, 12, 13, 14 and 15mm
- Size 64 circuits
- Leaf-style design protects pins
- Antiflux design
- Low insertion force
- High-temperature LCP housing for use with reflow solder processes

Reference Information

Product Specification: 71436-9999
 Packaging: Tube or tape and reel
 UL File No.: E29179
 Mates With: [71439](#)
 Designed In: Millimeters

Electrical

Voltage: 100V
 Current: 1.0A
 Contact Resistance: 30mΩ max.
 Dielectric Withstanding Voltage: 250V
 Insulation Resistance: 1000 MΩ min.

Mechanical

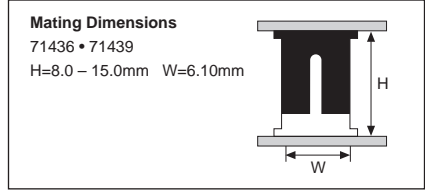
Contact Retention to Housing: 0.4kgf min.
 Mating Force: 50g max. per contact
 Unmating Force: 25g min. per contact

Physical

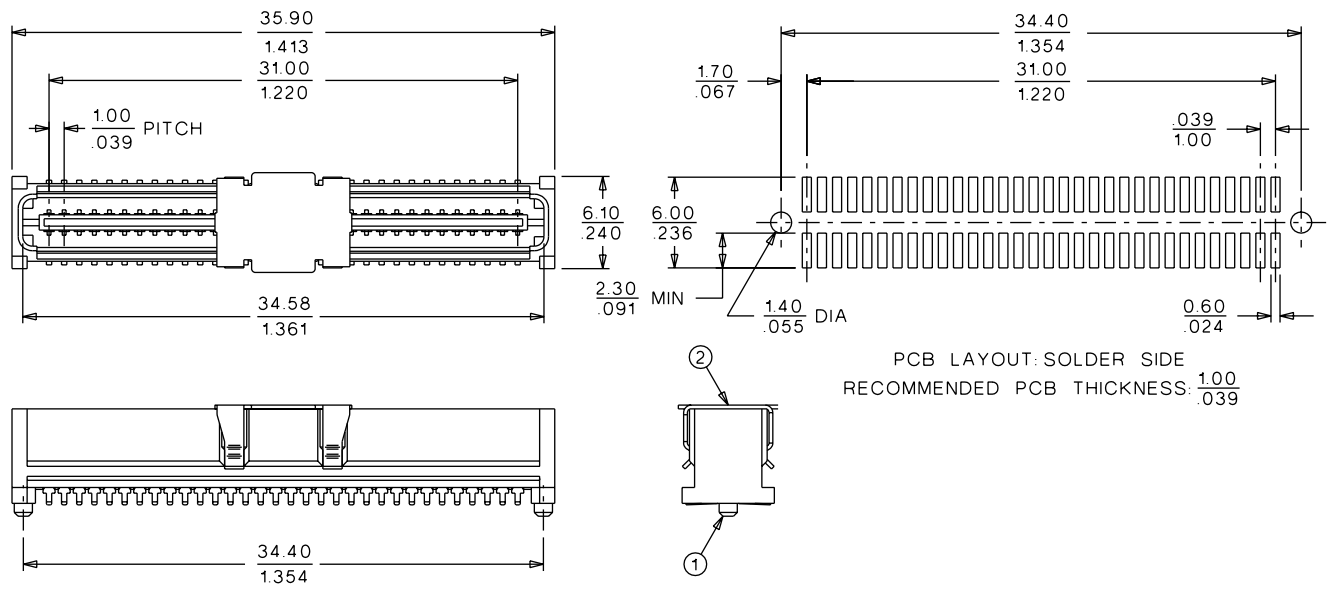
Housing: Glass-filled LCP, UL 94V-0
 Contact: Phosphor Bronze
 Plating: 30μ" Gold min.
 Operating Temperature: -55 to +85°C

A

0.40 to 1.60mm (.016 to .063") Pitch



CATALOG DRAWING (FOR REFERENCE ONLY)



ORDERING INFORMATION AND DIMENSIONS

Circuits	Order No.				Mated Stack Height*
	Tube Pack (with PCB Pegs, without Pick and Place Cap)		Tape Pack (without PCB Pegs, with Pick and Place Cap)		
	Plug	Receptacle	Plug	Receptacle	
64	71436-0164	71439-0164	71436-0864	71439-0864	8.00 (.315)
	71436-1164	71439-0164	71436-1864	71439-0864	9.00 (.354)
	71436-2164	71439-0164	71436-2864	71439-0864	10.00 (.394)
	71436-1164	71439-1164	71436-1864	71439-1864	11.00 (.433)
	71436-2164	71439-1164	71436-2864	71439-1864	12.00 (.472)
	71436-2164	71439-2164	71436-2864	71439-2864	13.00 (.512)
	71436-1164	71439-3164	71436-1864	71439-3864	14.00 (.551)
	71436-2164	71439-3164	71436-2864	71439-3864	15.00 (.591)

* Recommended Plug/Receptacle combination for mated stack height per EIA standard 700 AAAB. Also per EIA standard, board stack height measured from facing surfaces of parallel circuit boards includes solder thickness of 0.1mm (.004") per side.

Note: Other options available such as PCB pegs in tape pack, and Pick and Place Cap in tube pack