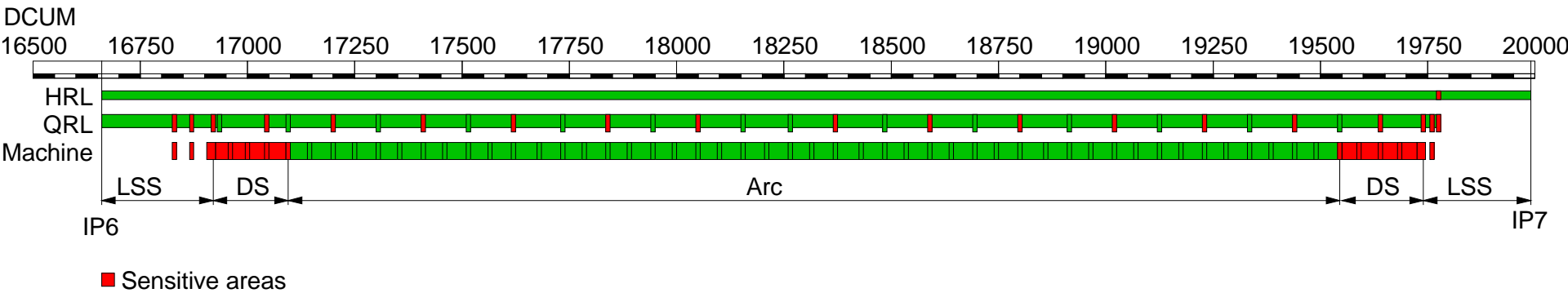


Annex 6 to EDMS 1406764 v1.1

**Sector 67:
Identification of sensitive areas
for helium spill**

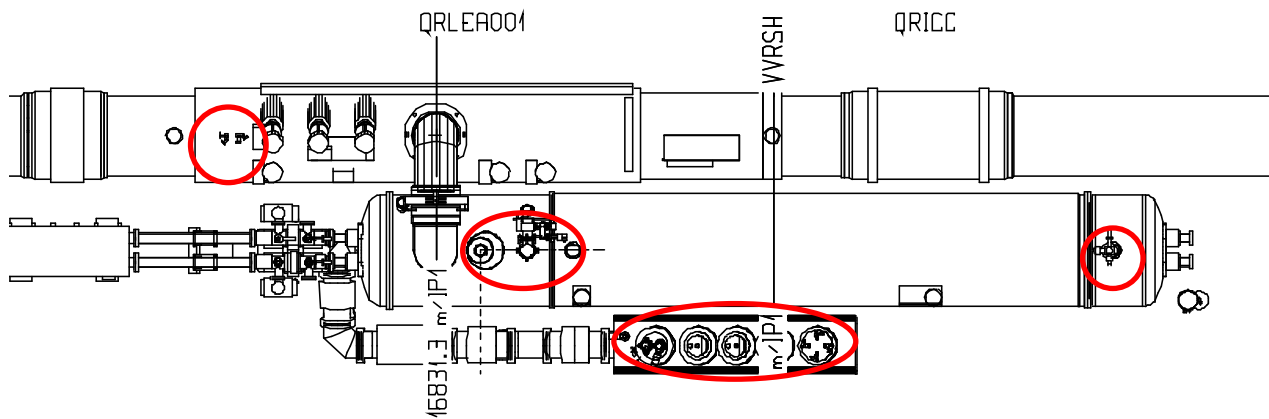
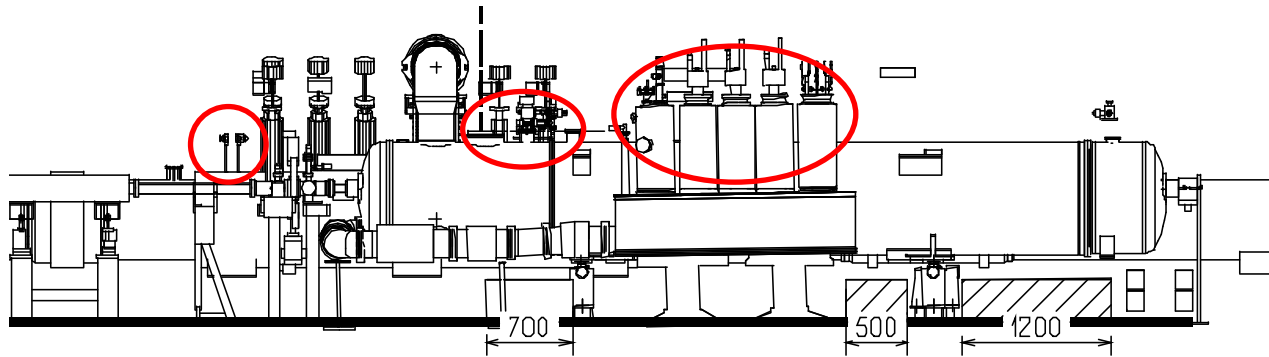
L. Tavian, 18 August 2014

Sector 67 overview



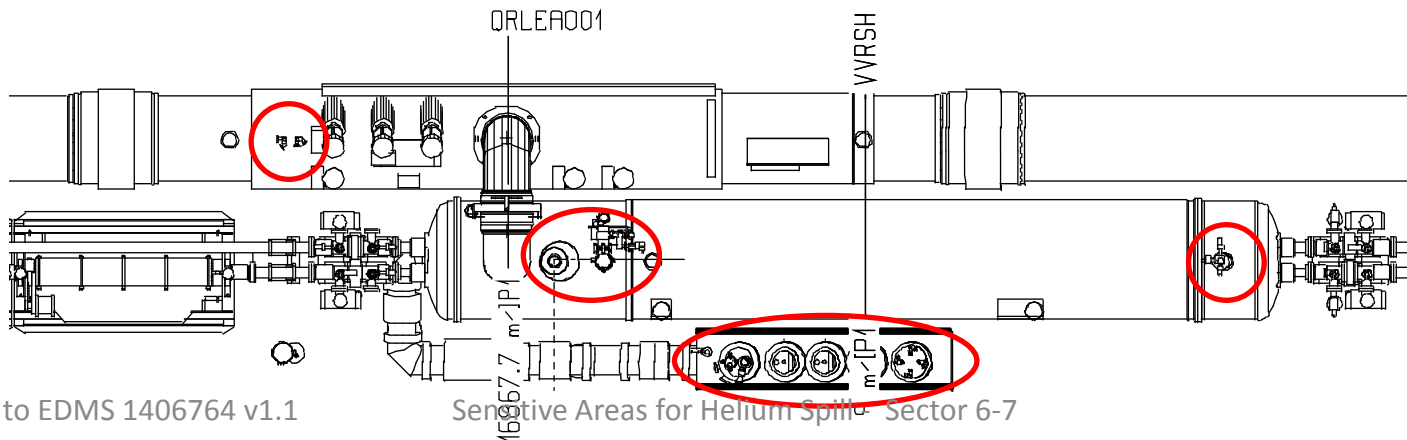
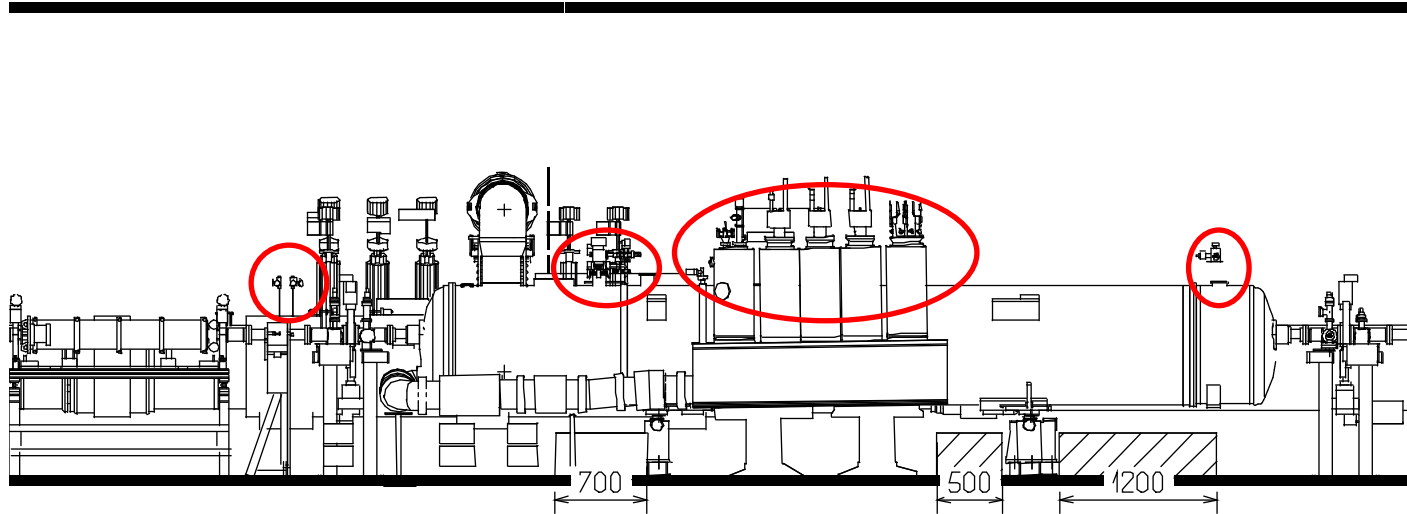
Q4R6 DCUM 16831 m

DFBMM_4

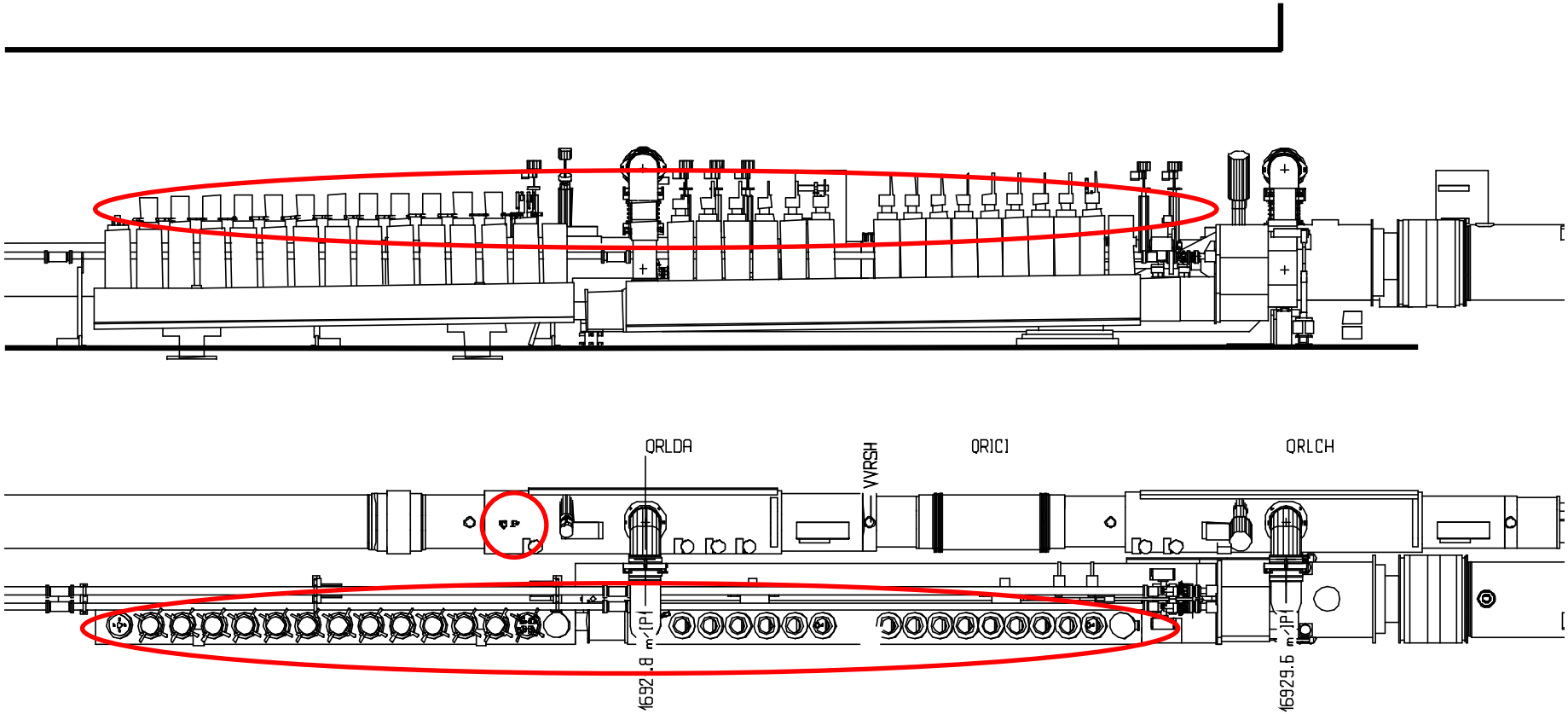


Q5R6 DCUM 16868 m

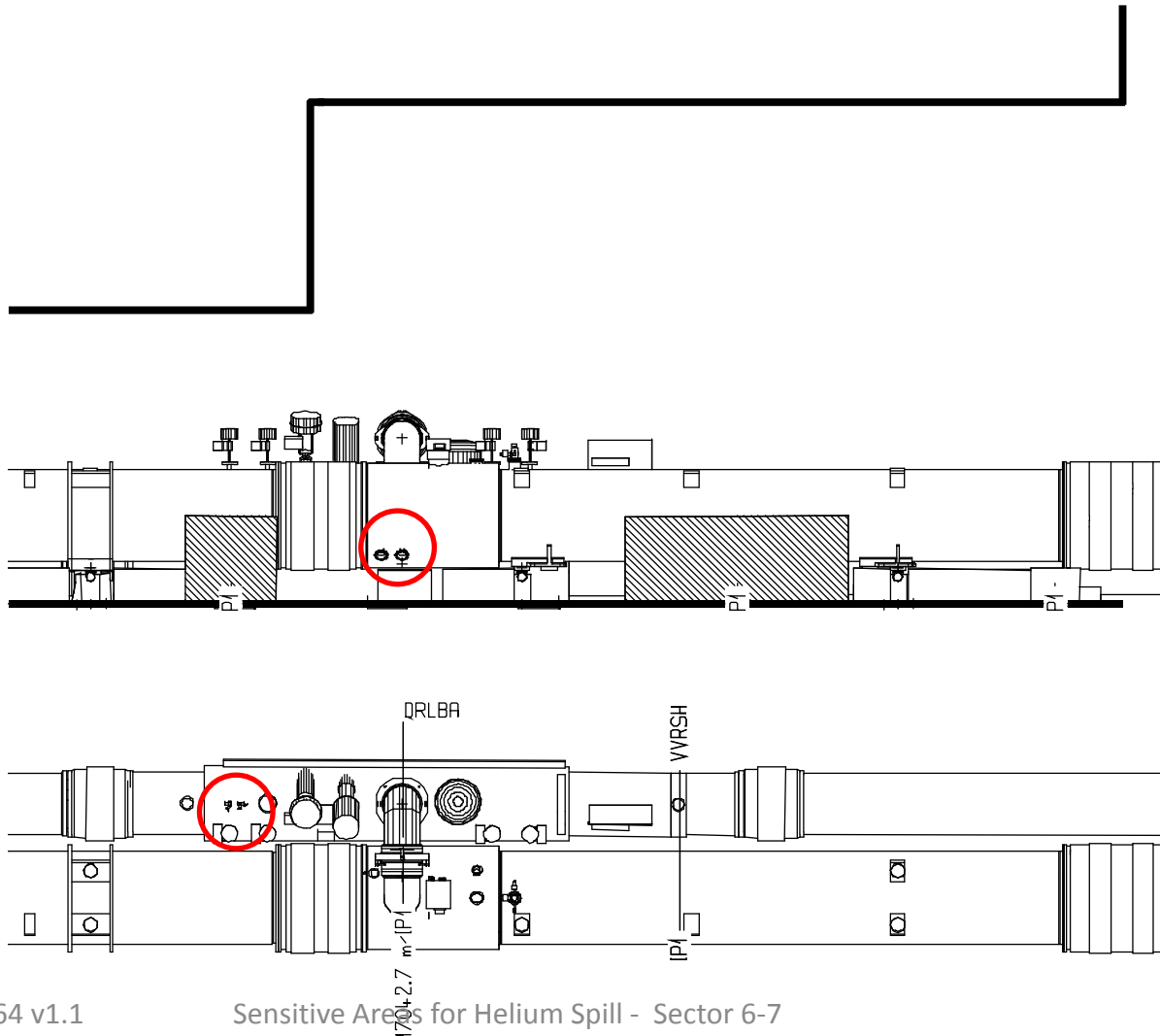
DFBMM_5



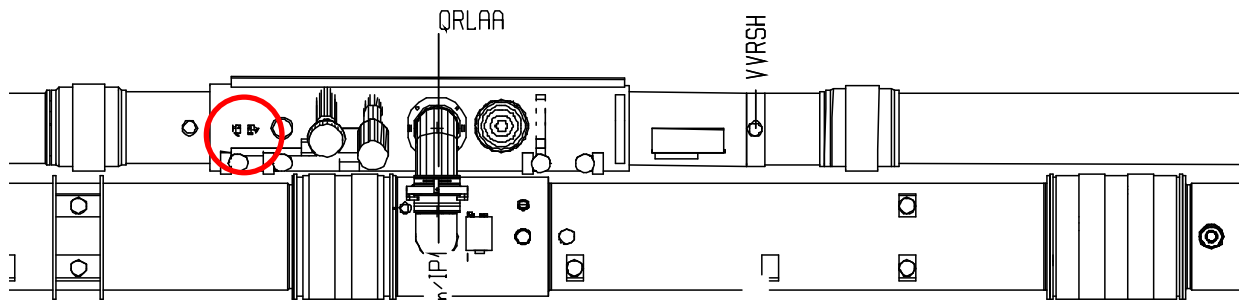
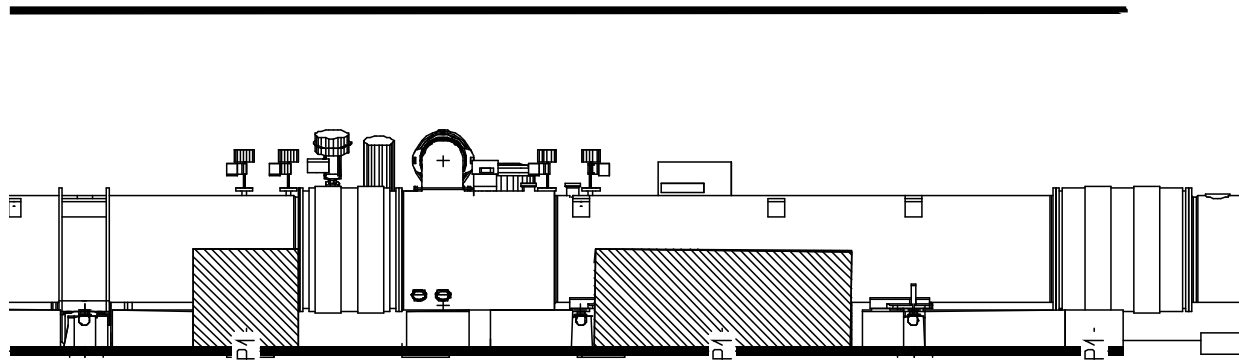
DFBAL R6 DCUM 16922 m



Q10R6 DCUM 17043 m

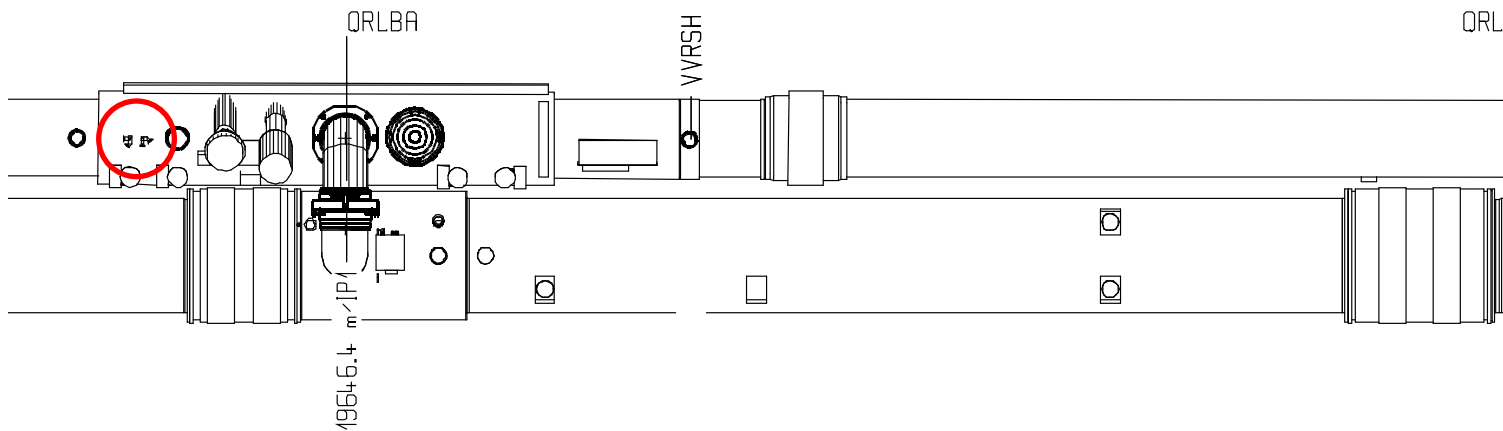
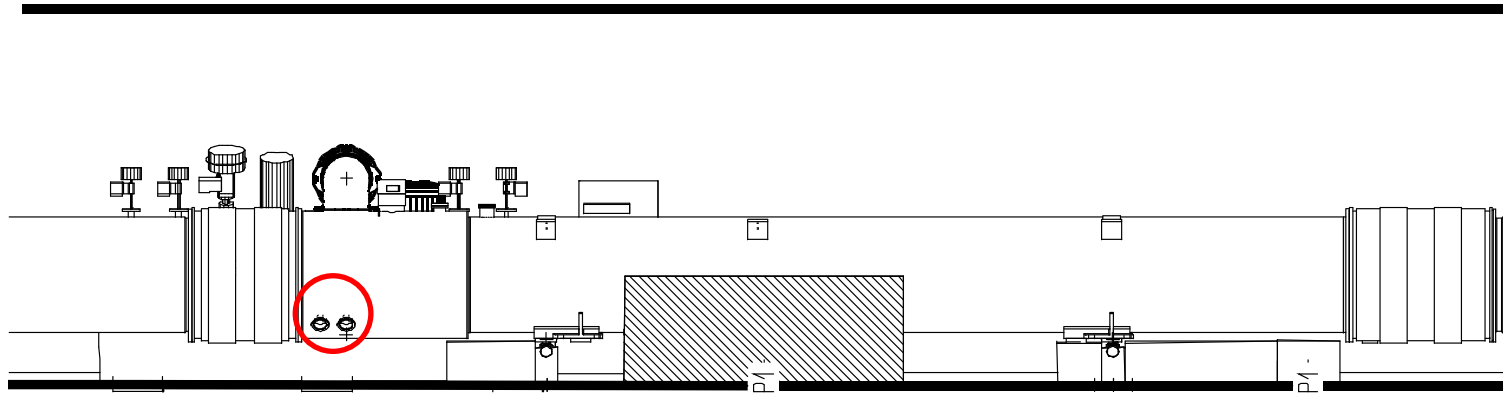


QRLAA service module in the Arc67

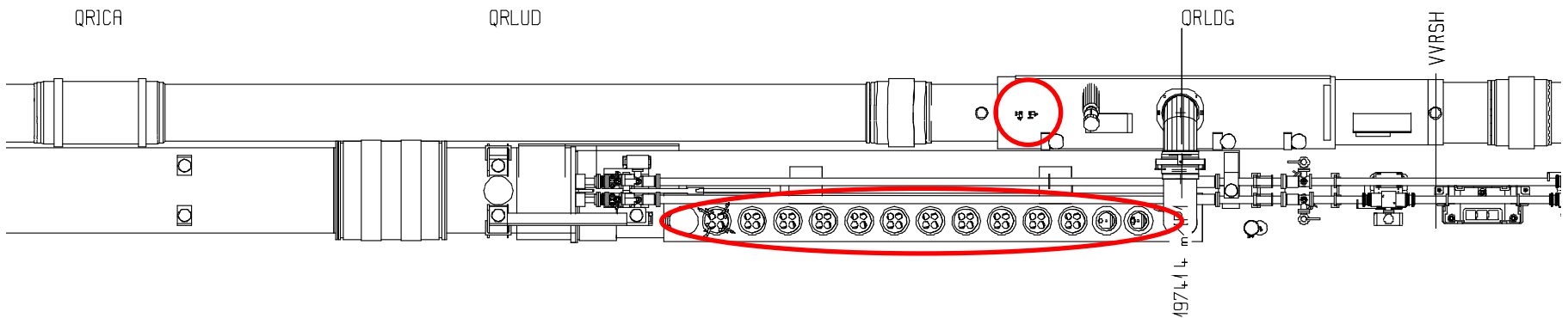
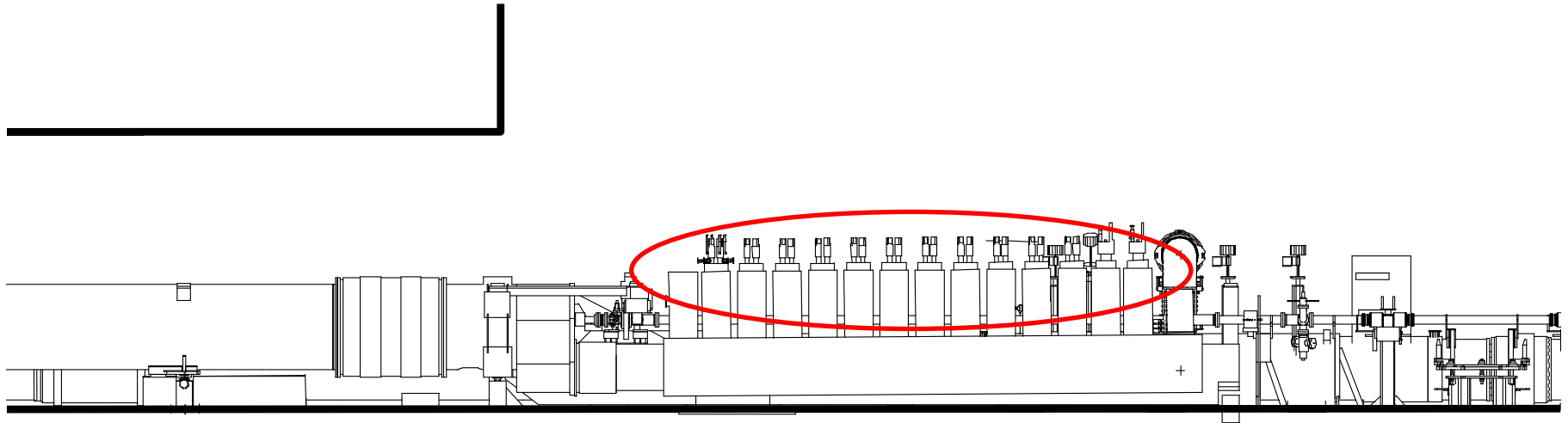


- Q13R6 DCUM 17203 m
- Q17R6 DCUM 17416 m
- Q21R6 DCUM 17630 m
- Q25R6 DCUM 17844 m
- Q29R6 DCUM 18058 m
- Q33L7 DCUM 18379 m
- Q29L7 DCUM 18592 m
- Q25L7 DCUM 18806 m
- Q21L7 DCUM 19020 m
- Q17L7 DCUM 19234 m
- Q13L7 DCUM 19448 m

Q9L7 DCUM 19646 m



DFBAM L7 DCUM 19741 m



Q6L7 DCUM 19761 m

DFBMH

QRLID (return module)

