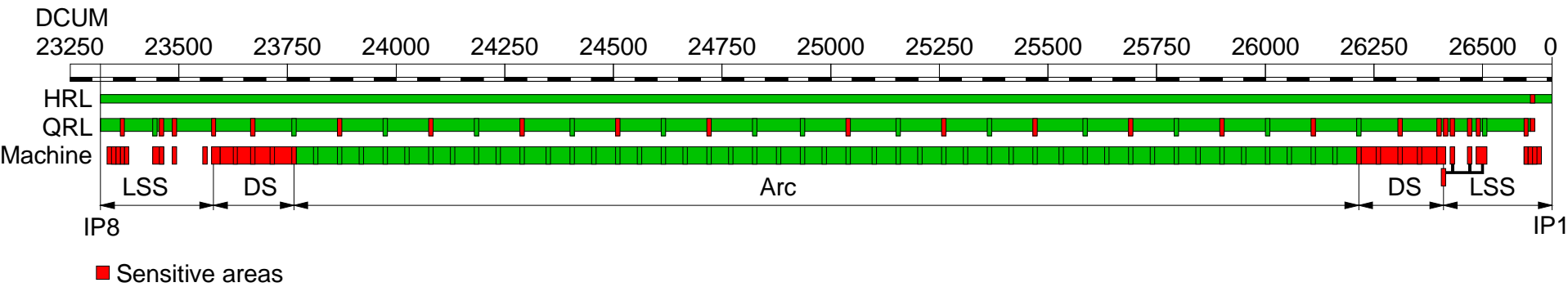


Annex 8 to EDMS 1406764 v1.1

**Sector 81:
Identification of “sensitive areas”
for helium spill**

L. Tavian, 15 August 2014

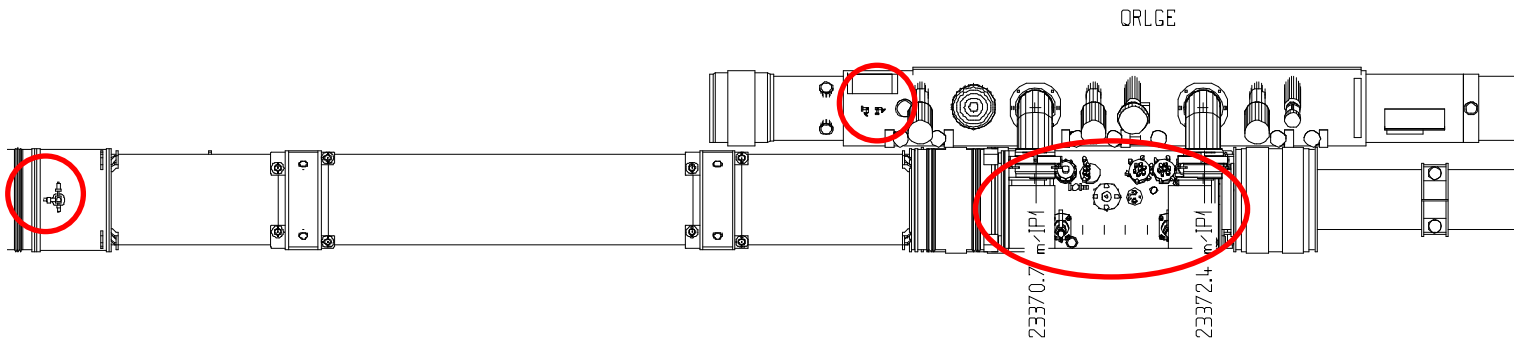
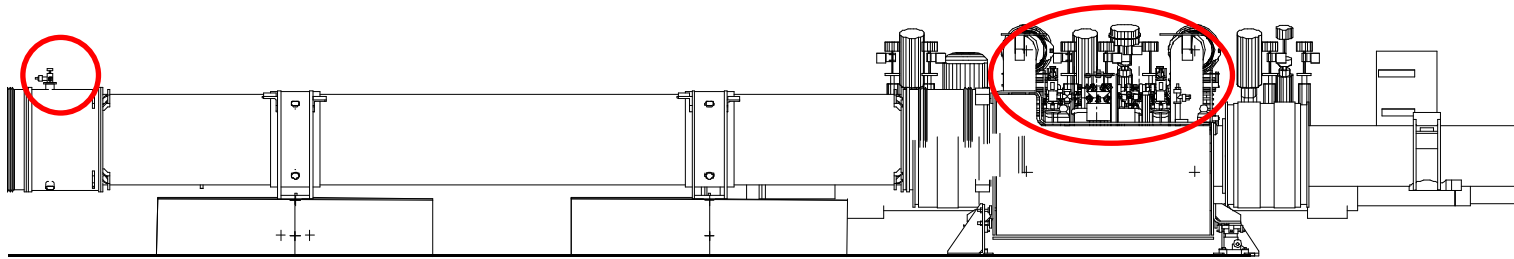
Sector 81 overview



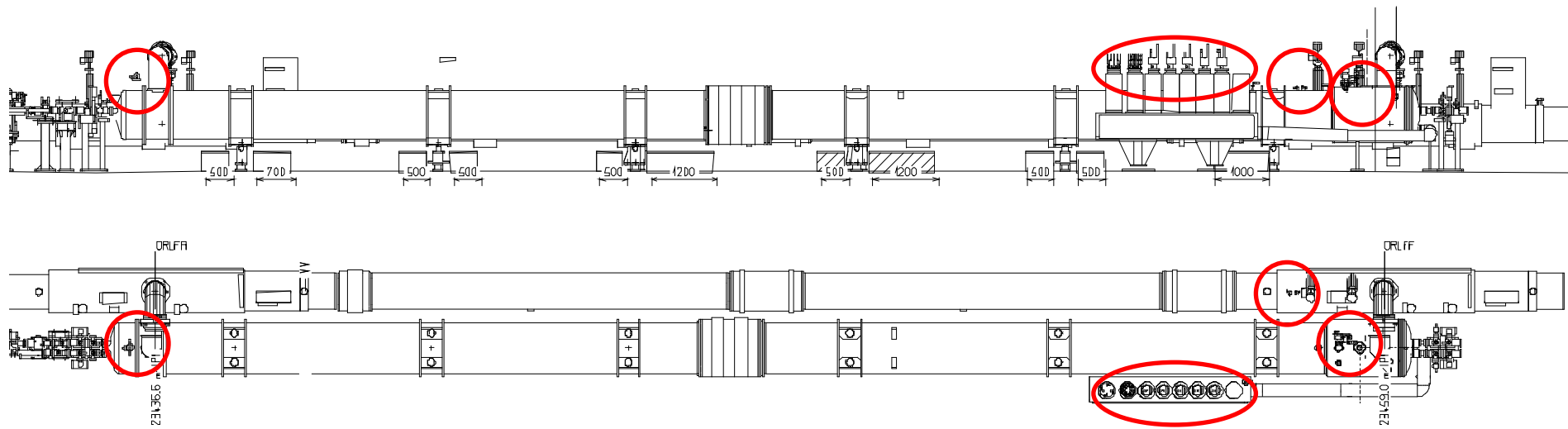
DFBXH R8 DCUM 23371 m

B86

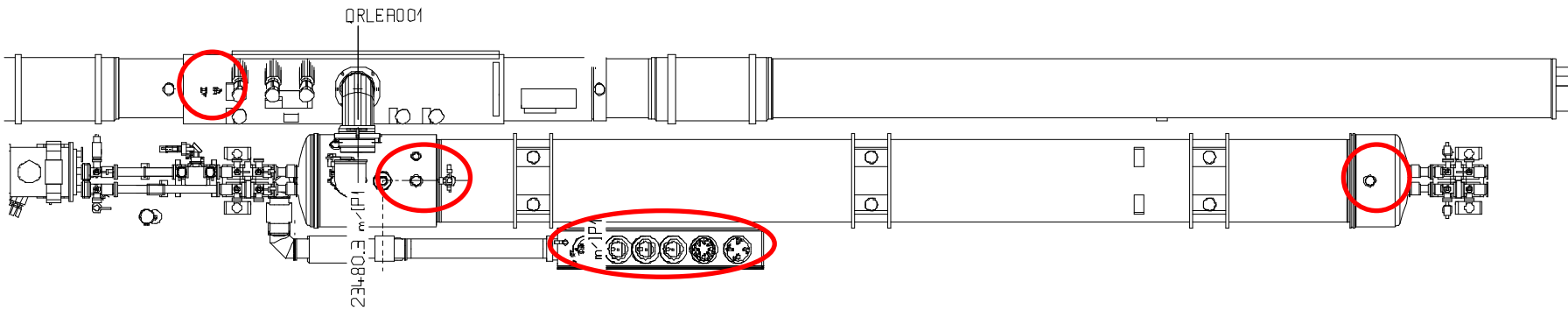
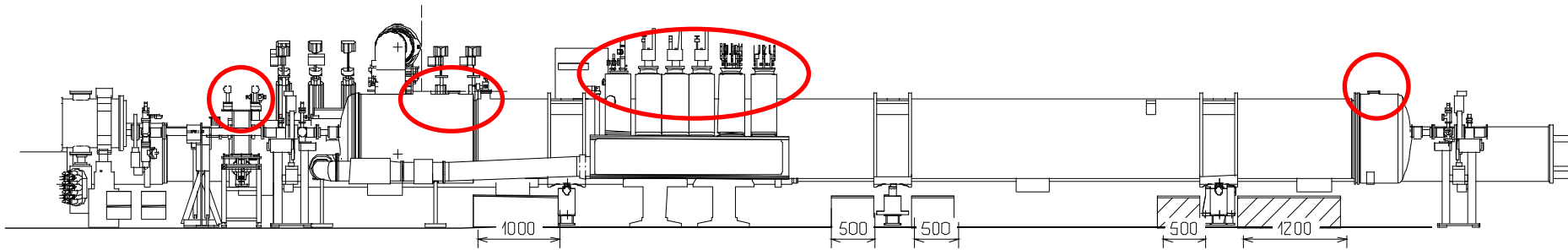
UJ86



D2Q4R8 DCUM 23459 m DFBMB

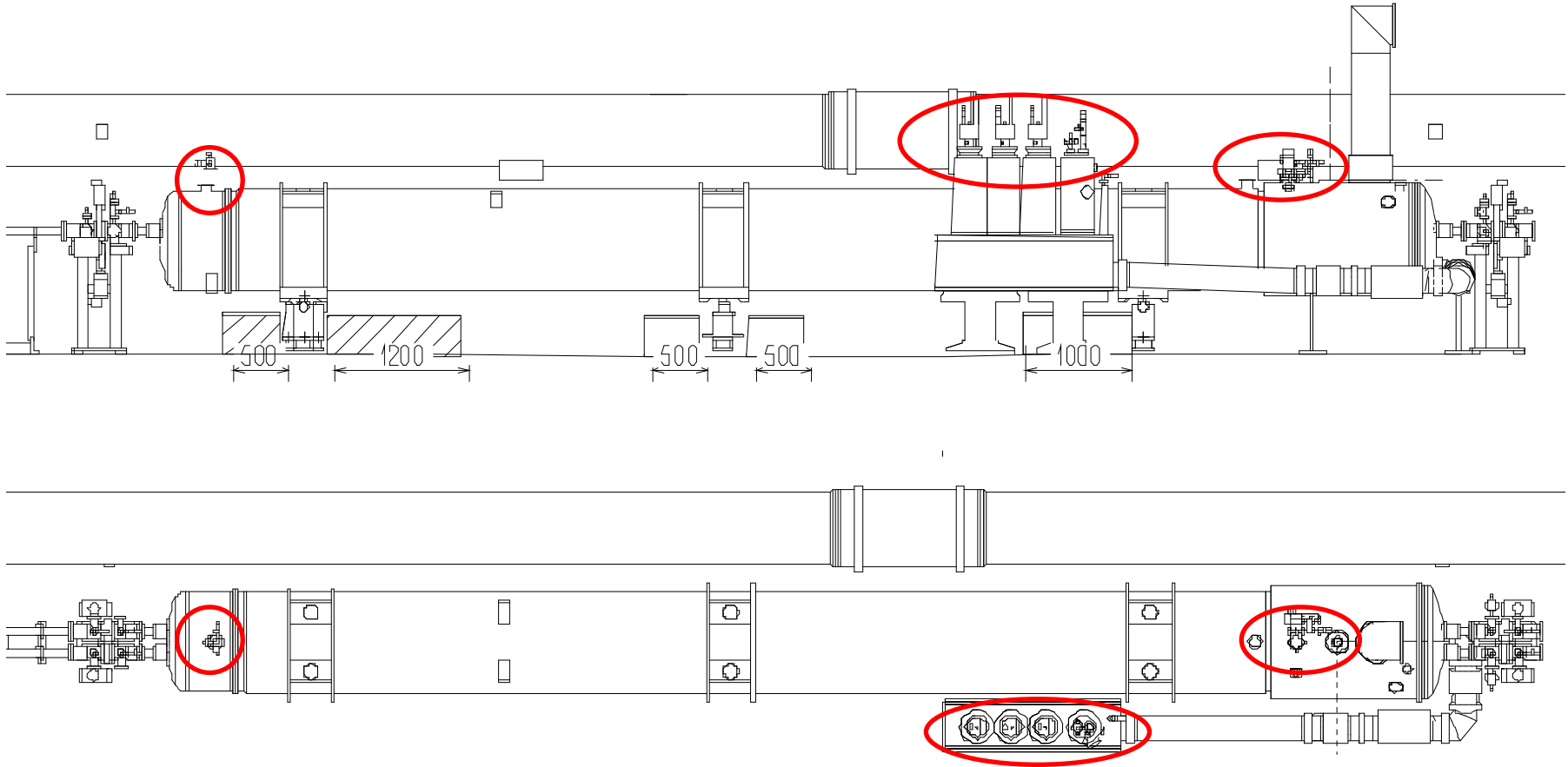


Q5R8 DCUM 23480 m DFBMI



Q6R8 DCUM 23562 m

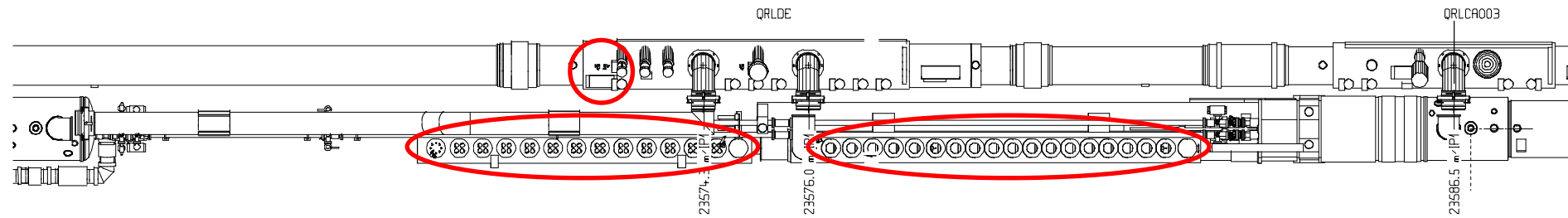
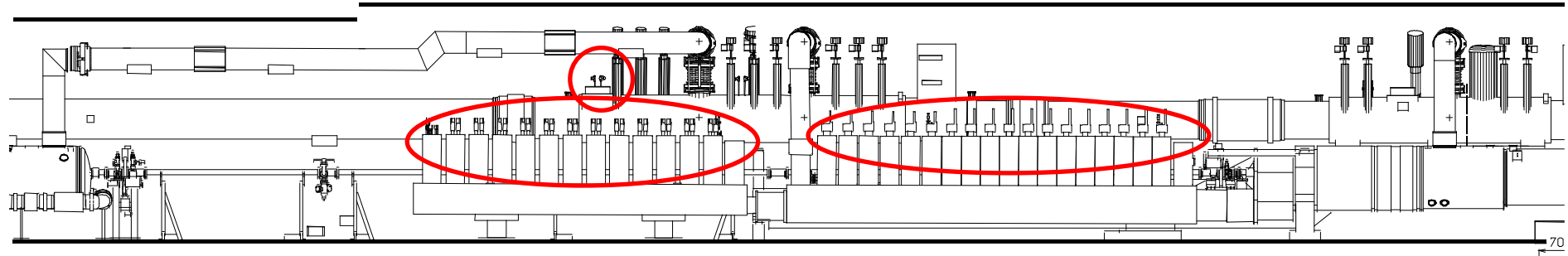
DFBMJ



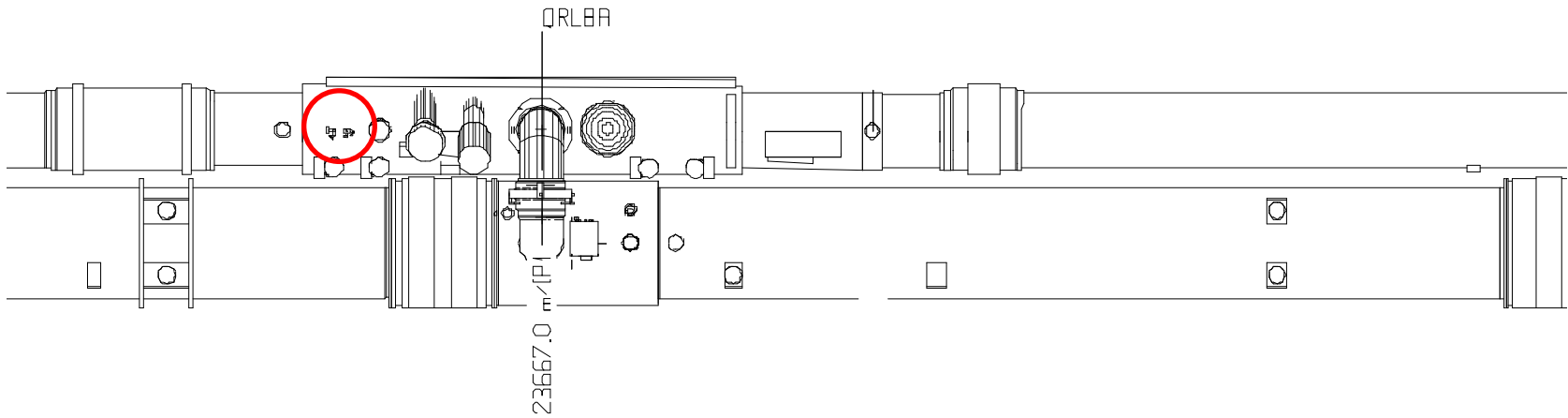
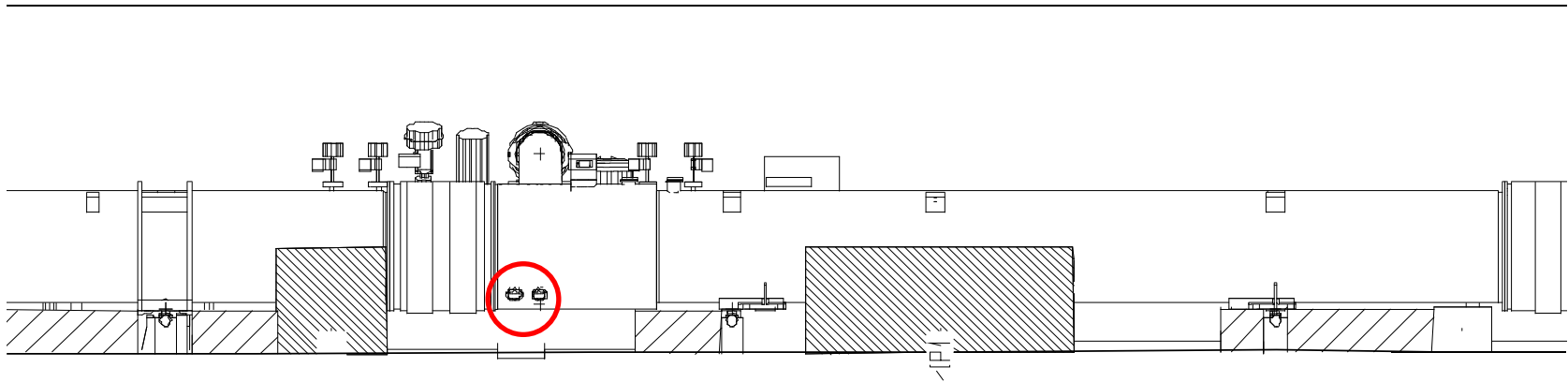
DFBAP R8 DCUM 23575 m

RA87

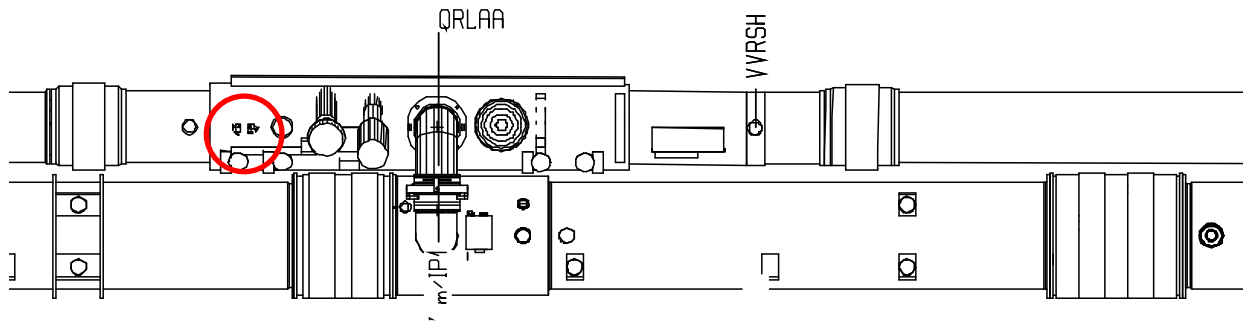
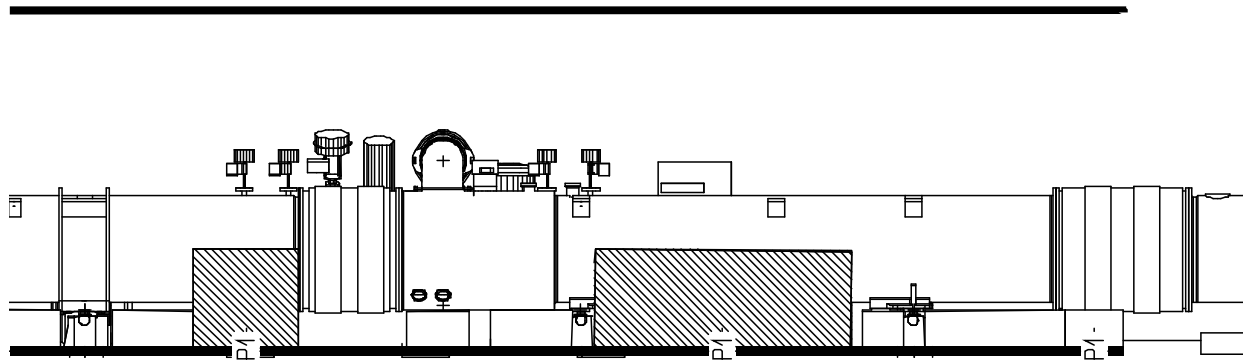
RH87



Q9R8 DS DCUM 23667 m



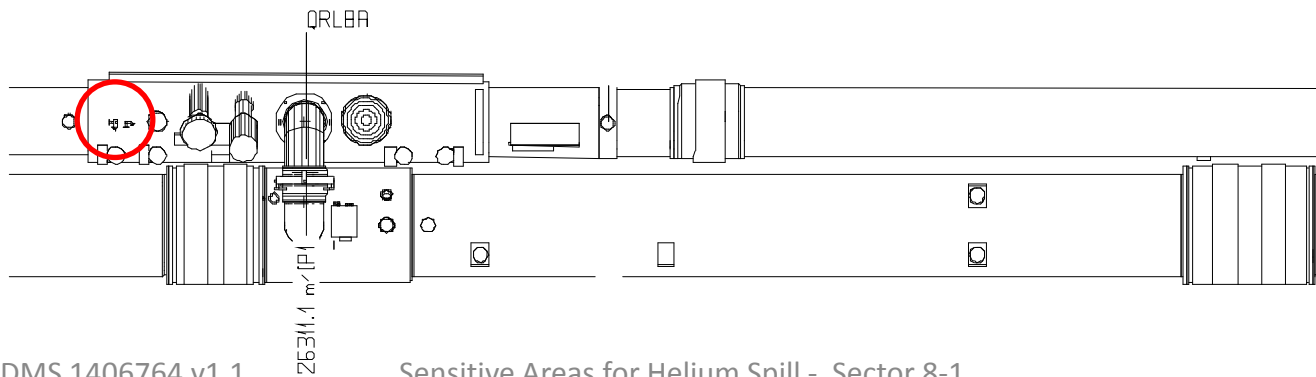
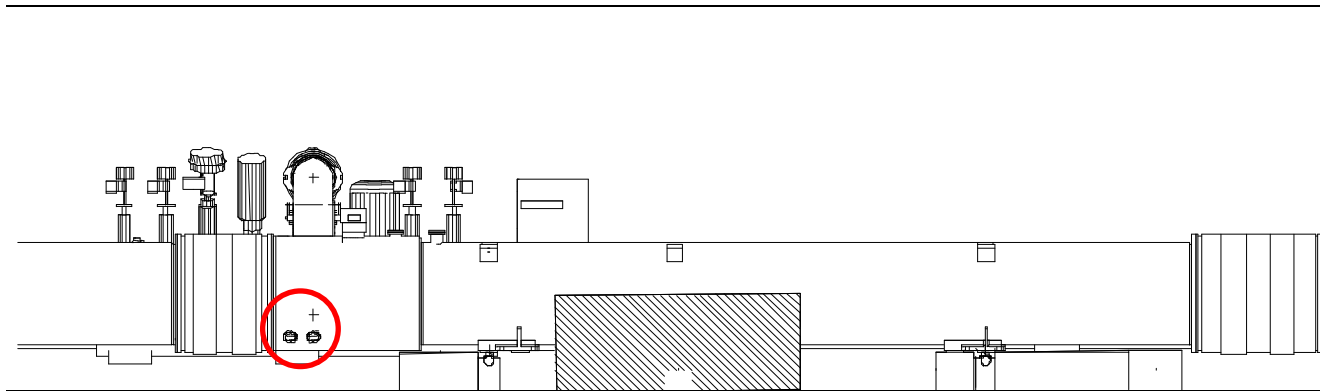
QRLAA service module in the Arc81



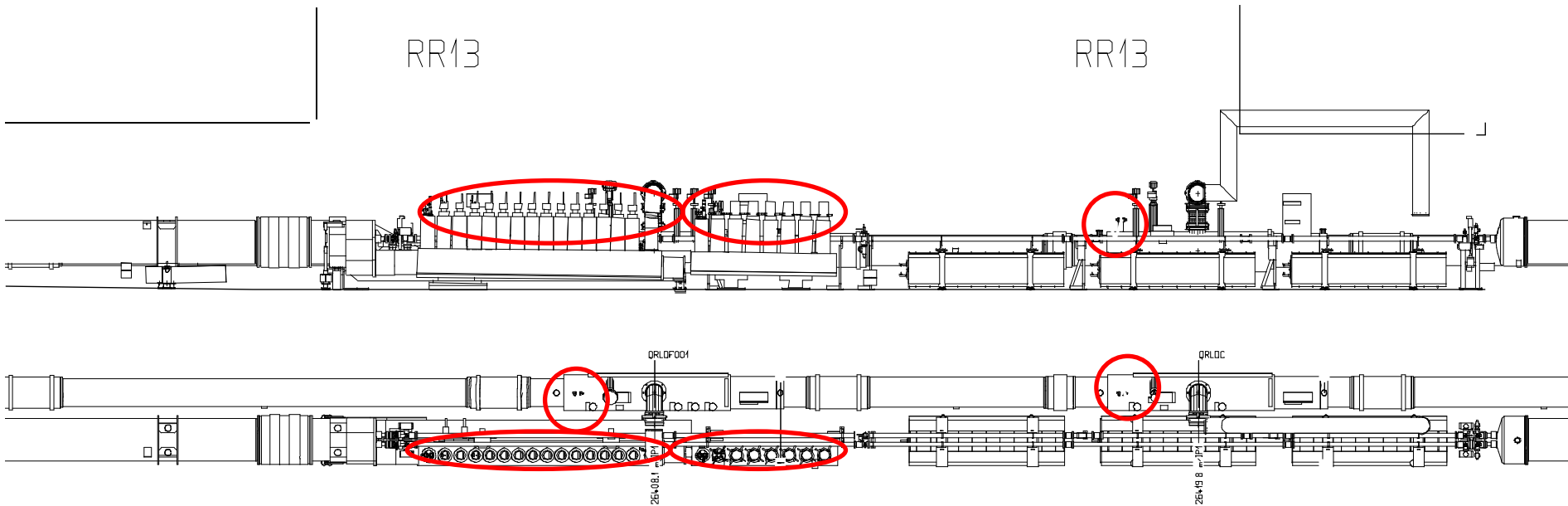
- Q13R8 DCUM 23867 m
- Q17R8 DCUM 24081 m
- Q21R8 DCUM 24295 m
- Q25R8 DCUM 24509 m
- Q29R8 DCUM 24723 m
- Q33L1 DCUM 25043 m
- Q29L1 DCUM 25257 m
- Q25L1 DCUM 25471 m
- Q21L1 DCUM 25685 m
- Q17L1 DCUM 25899 m
- Q13L1 DCUM 26112 m

Q9L1 DS DCUM 26311 m

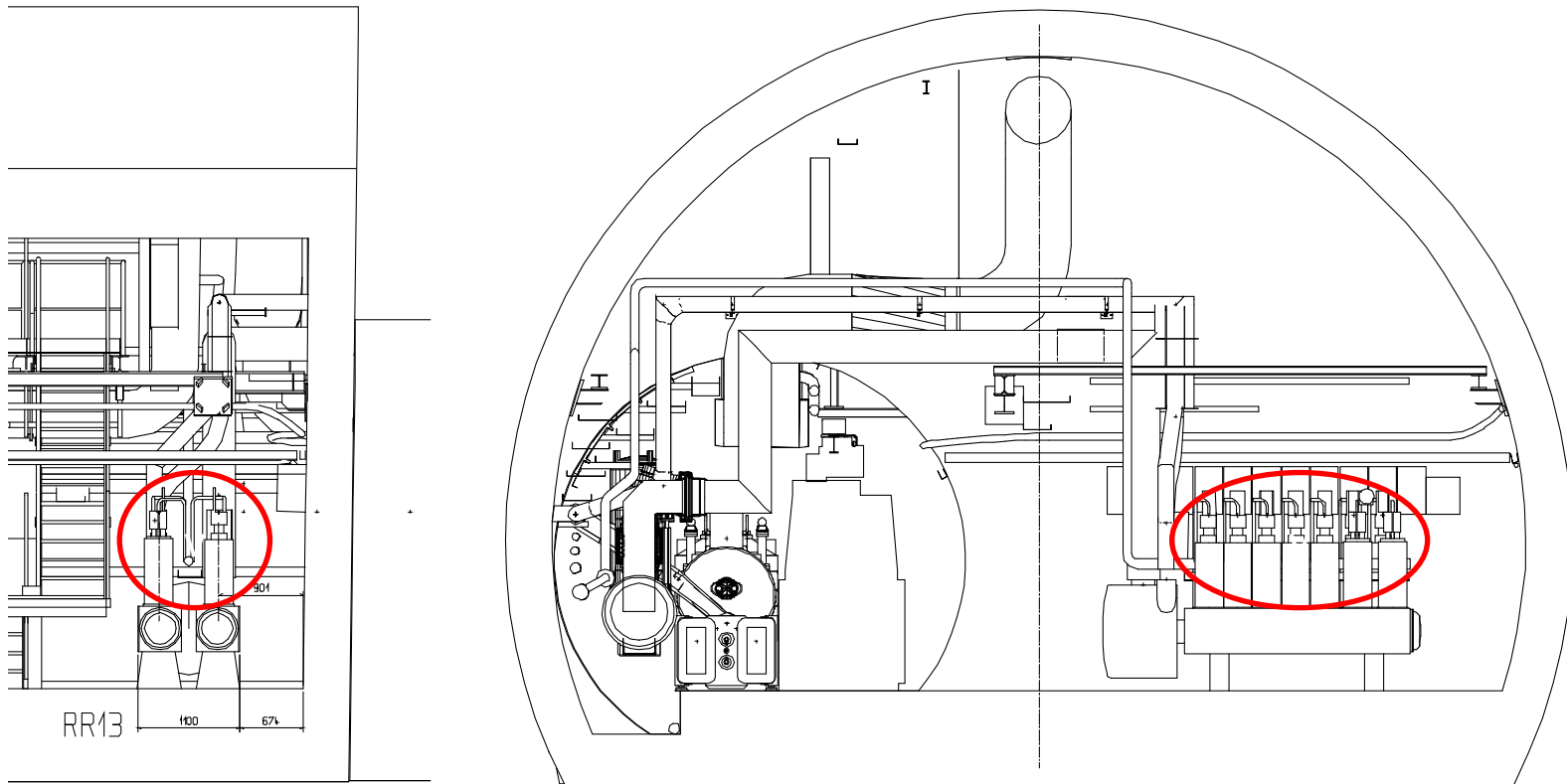
RI12



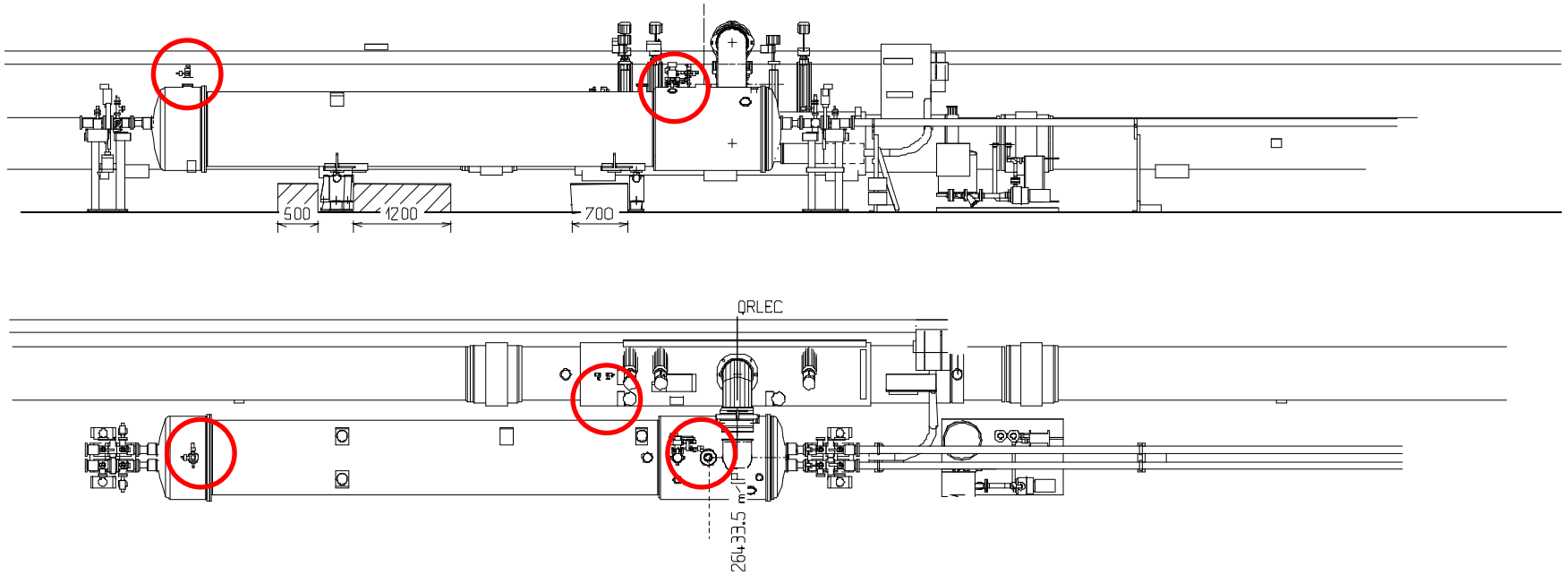
DFBAA L1 DCUM 26408 m



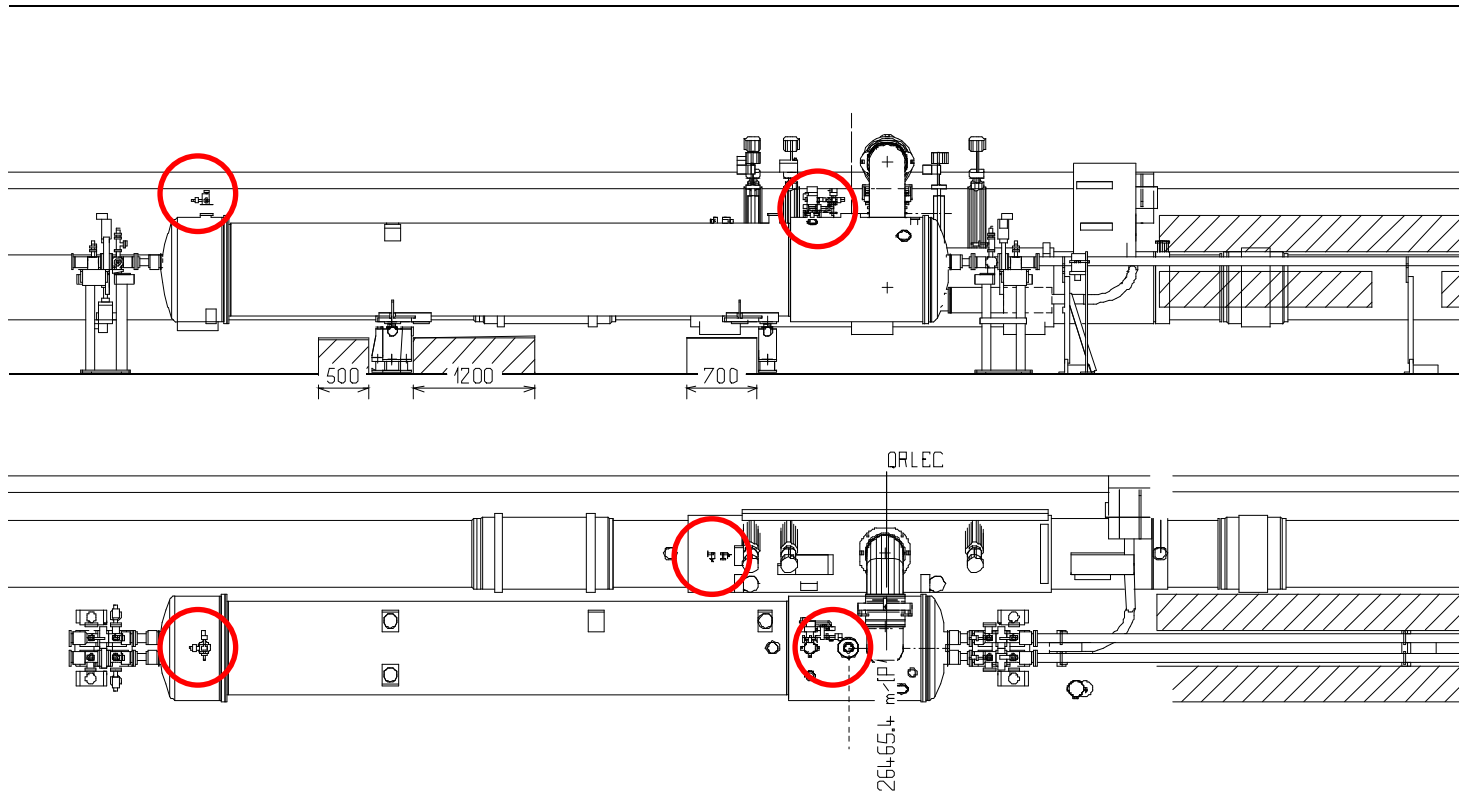
DFBLA in RR13 DCUM 26408 m



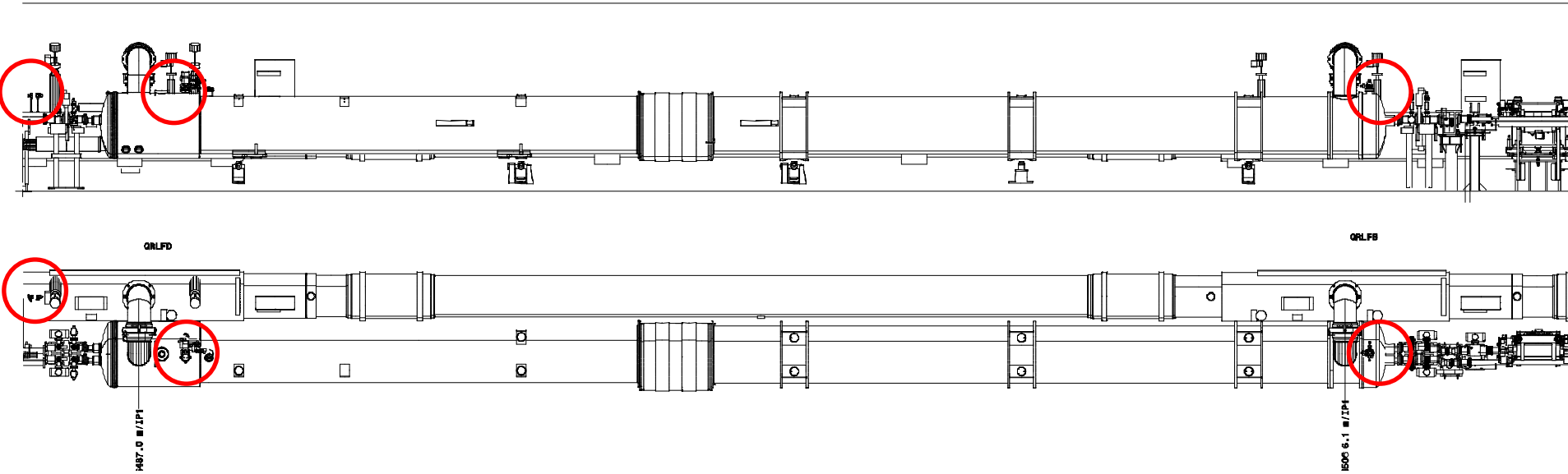
Q6L1 DCUM 26434 m



Q5L1 DCUM 26465 m



Q4D2L1 DCUM 26487 m



DFBXA L1 DCUM 26604 m

QRLID (Return module)

