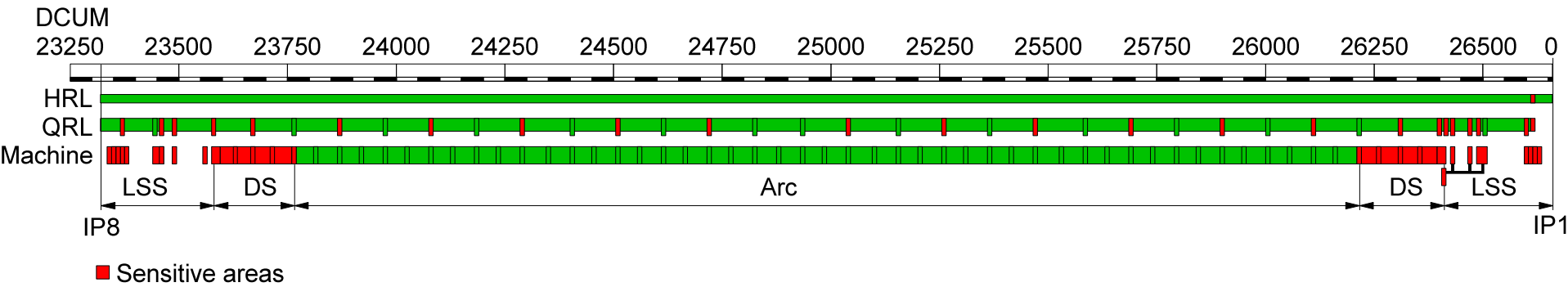


Sector 81:  
Identification of “sensitive areas”  
for helium spill

L. Tavian, 15 August 2014

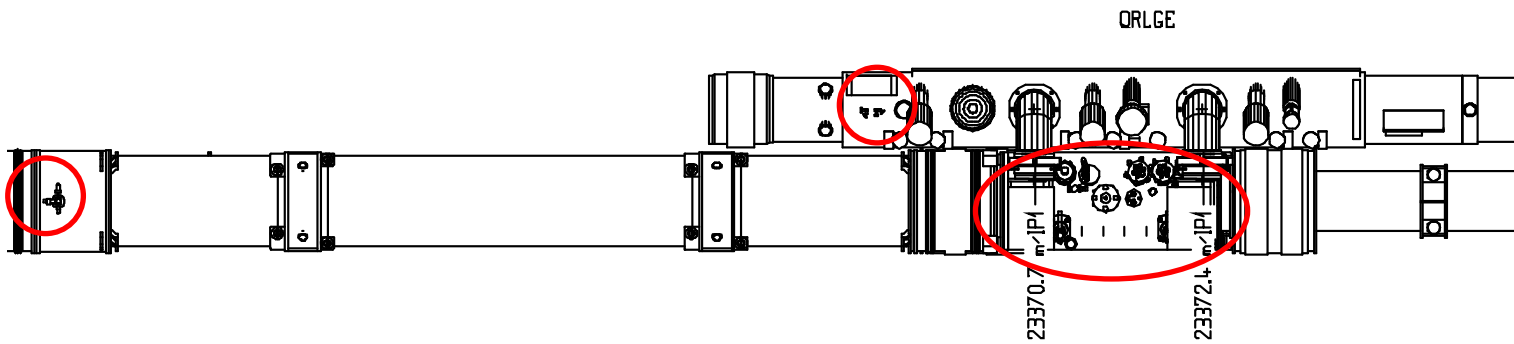
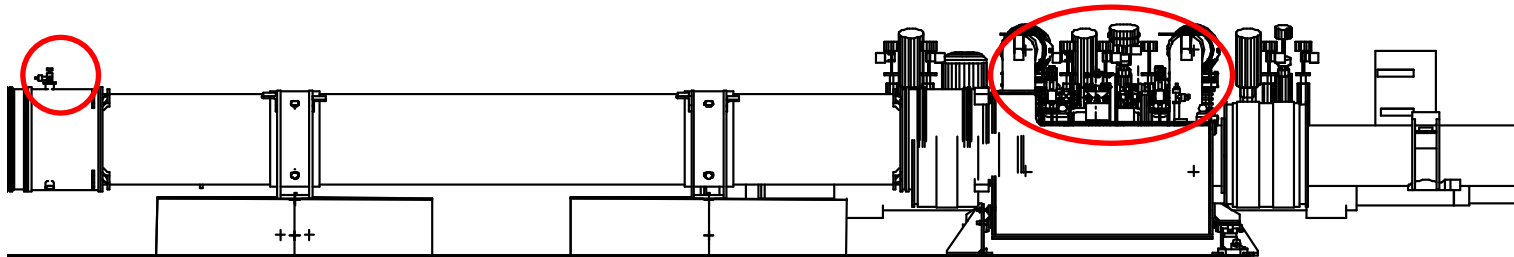
# Sector 81 overview



# DFBXH R8 DCUM 23371 m

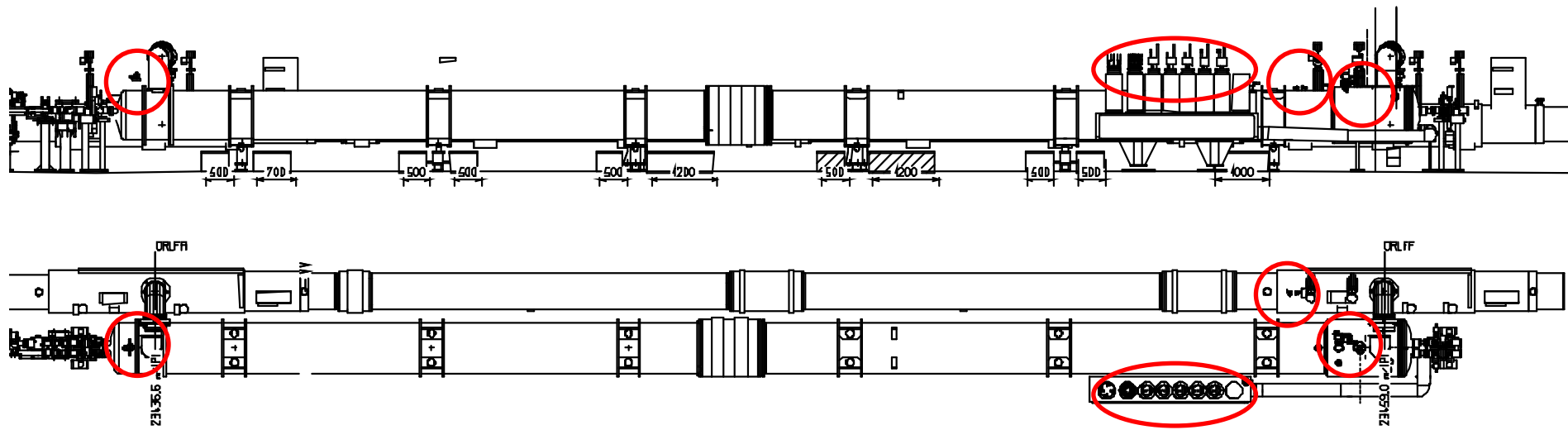
B86

UJ86

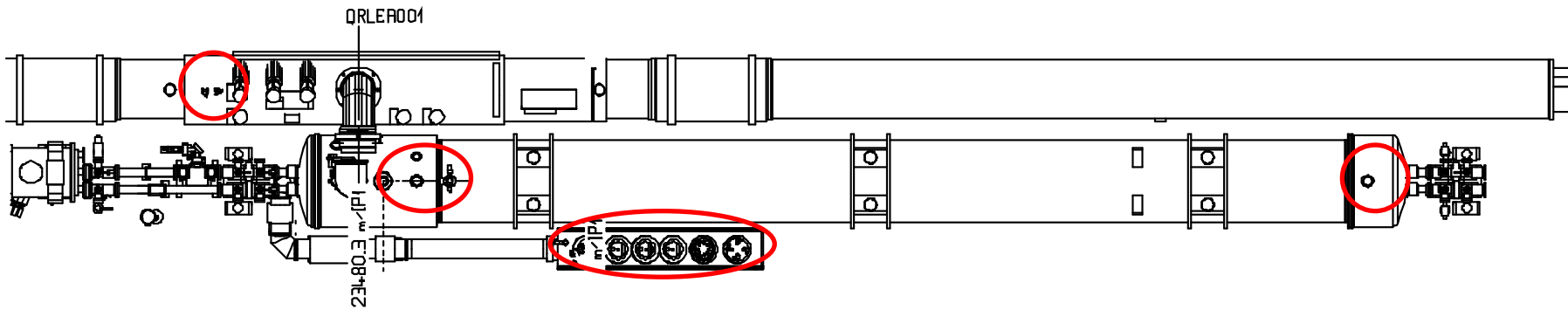
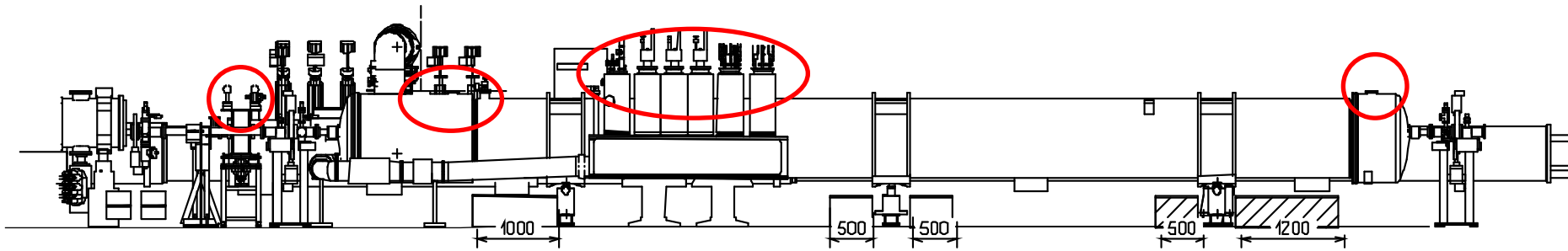


# D2Q4R8 DCUM 23459 m

## DFBMB

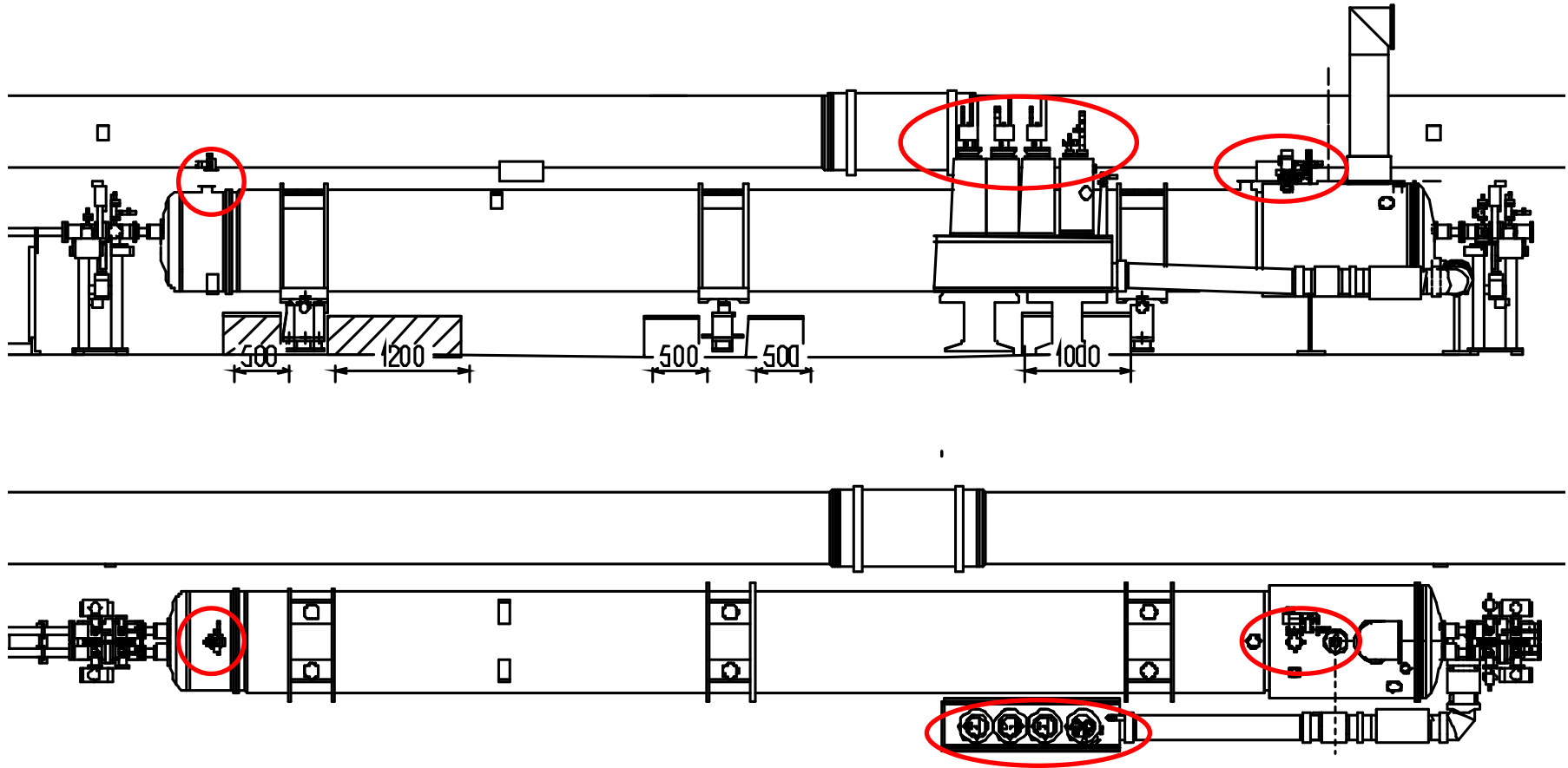


# Q5R8 DCUM 23480 m DFBMI



# Q6R8 DCUM 23562 m

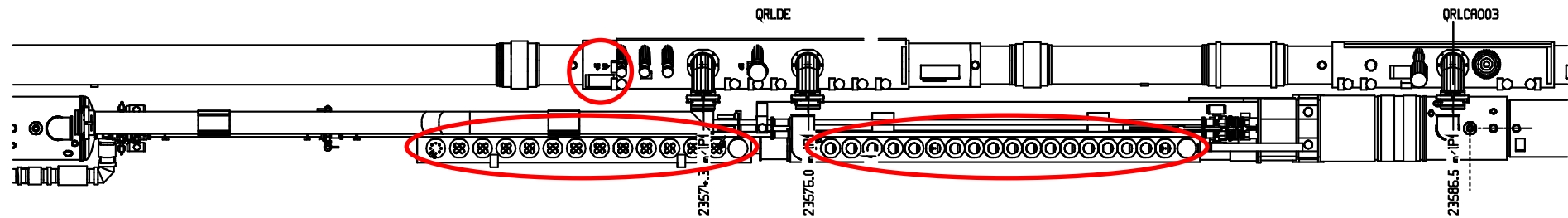
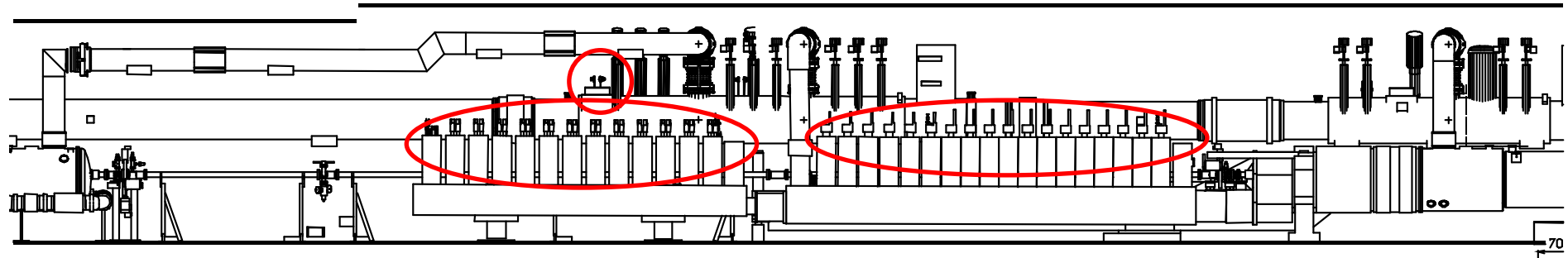
## DFBMJ



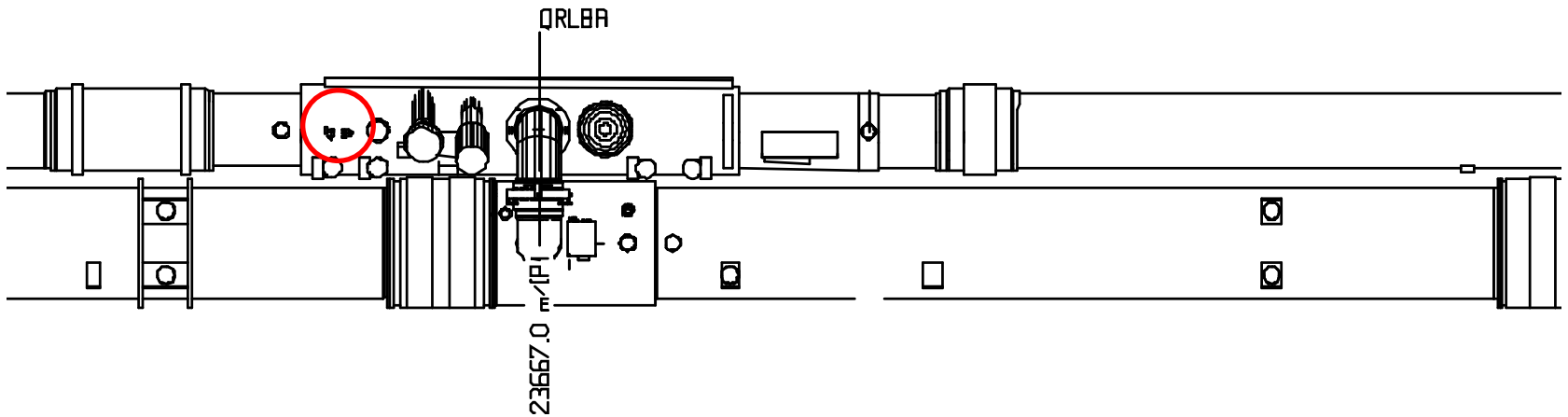
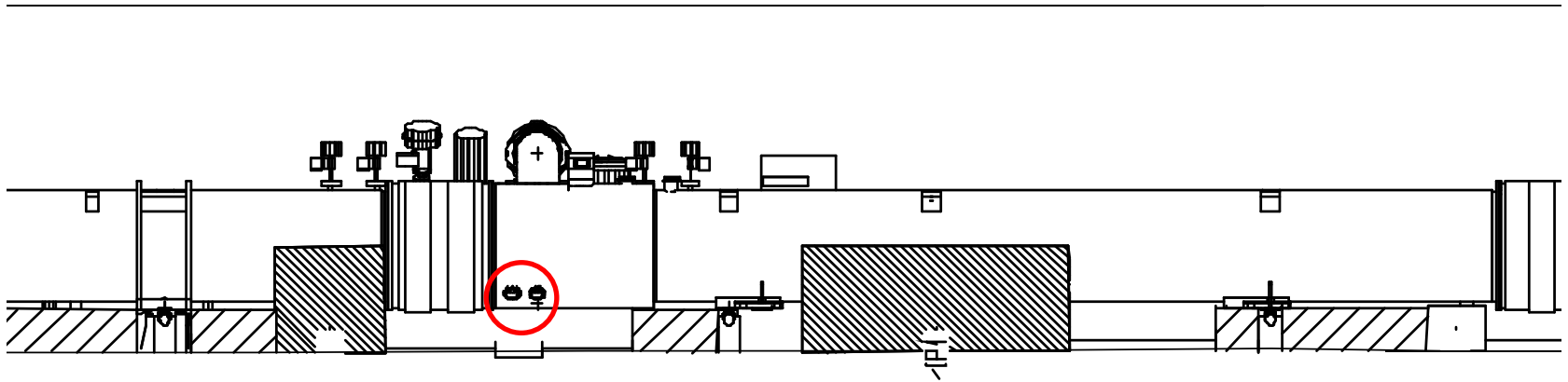
# DFBAP R8 DCUM 23575 m

RA87

RH87

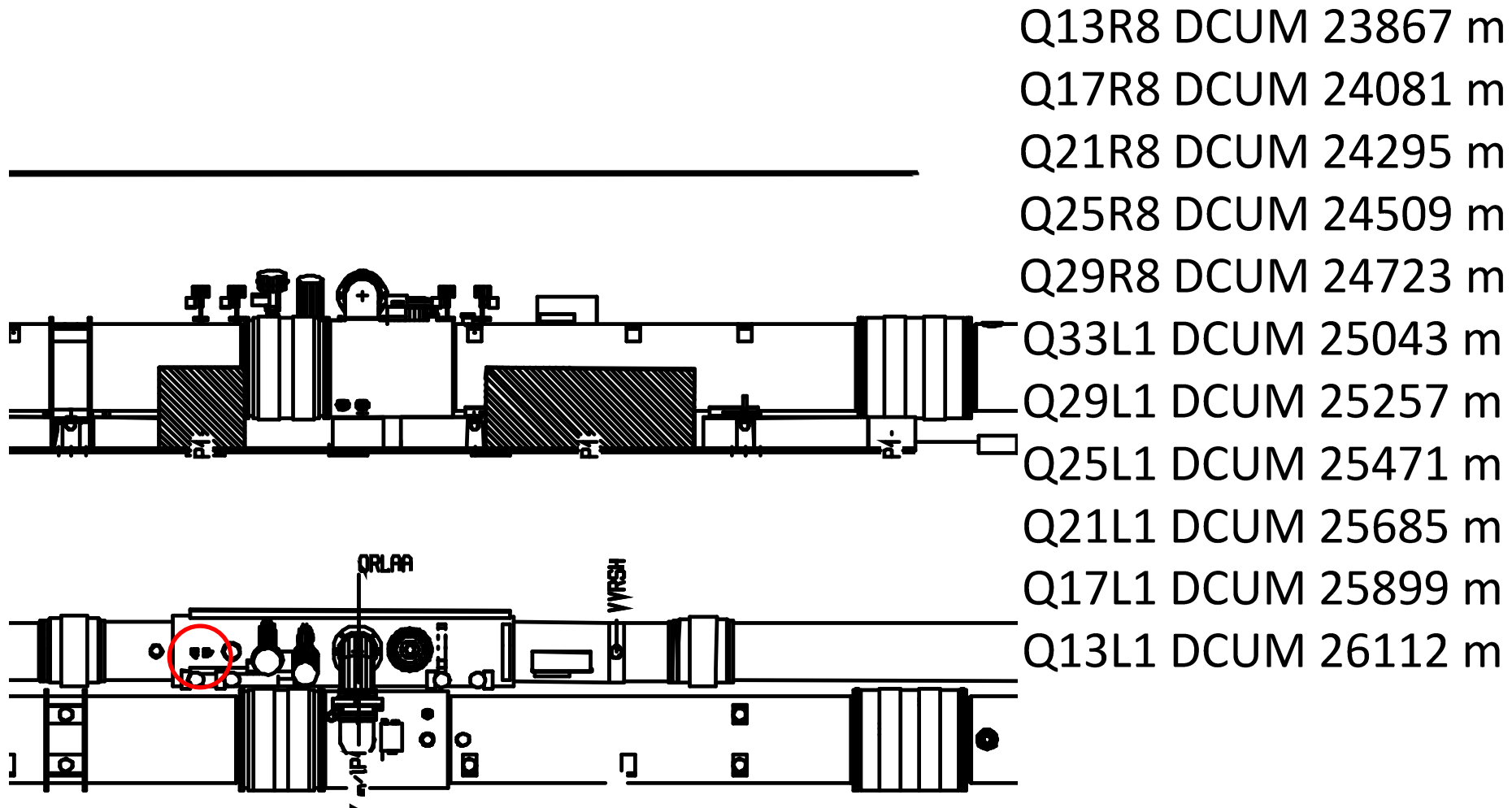


# Q9R8 DS DCUM 23667 m



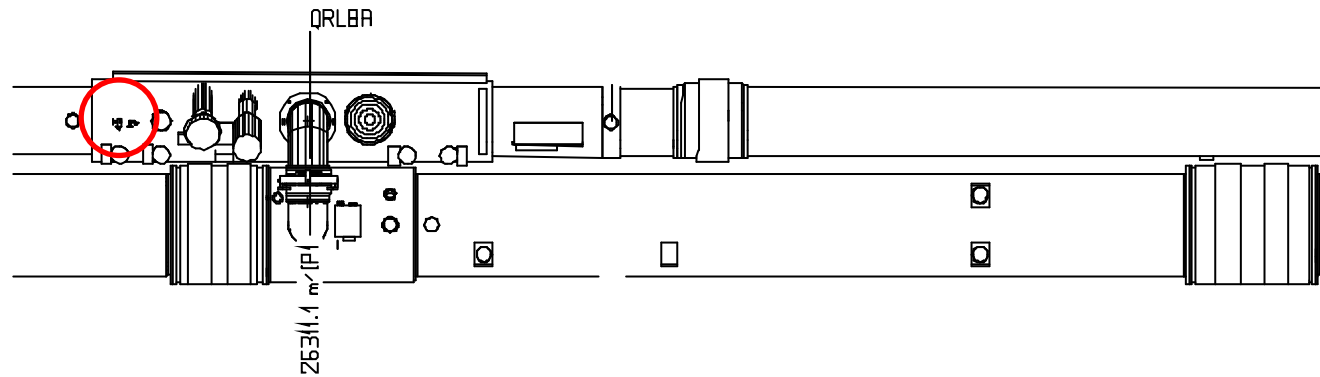
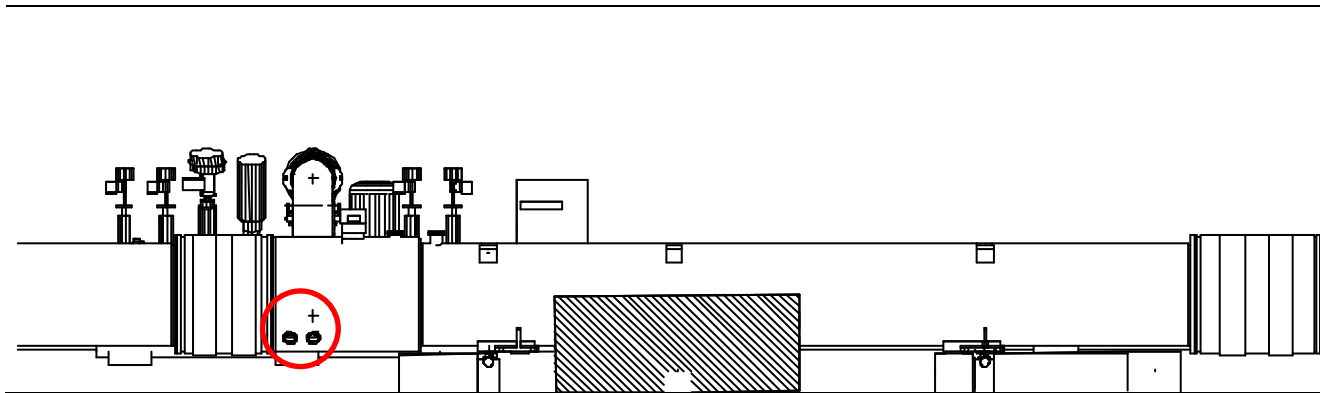


# QRLAA service module in the Arc81

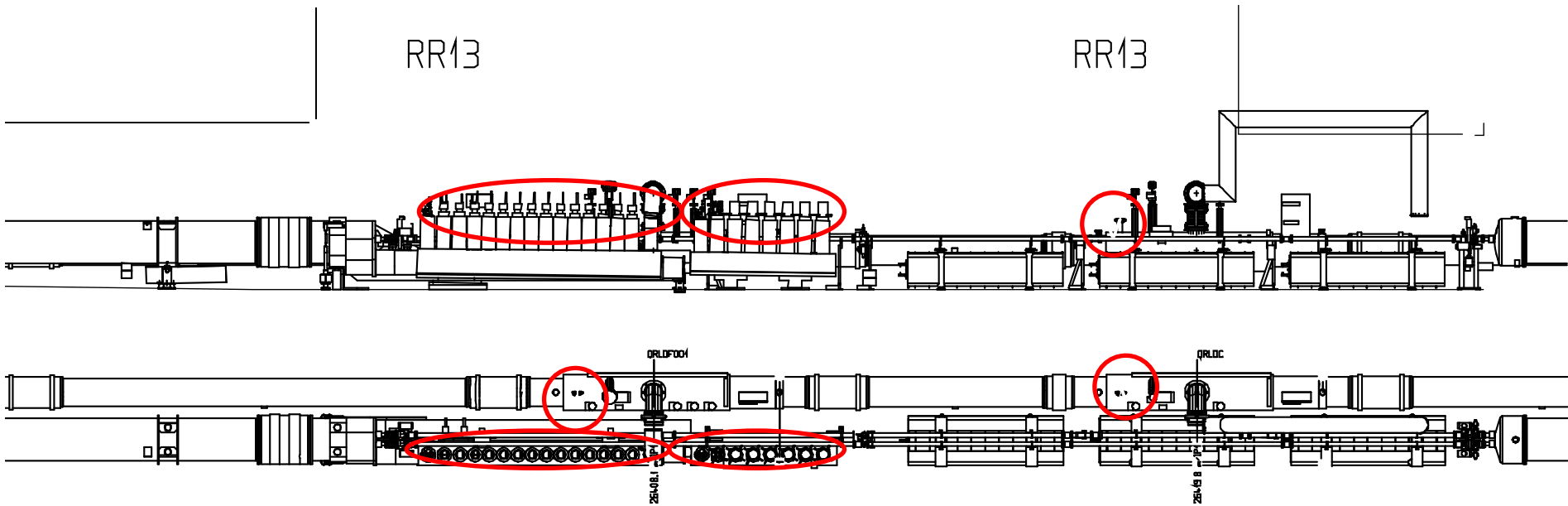


# Q9L1 DS DCUM 26311 m

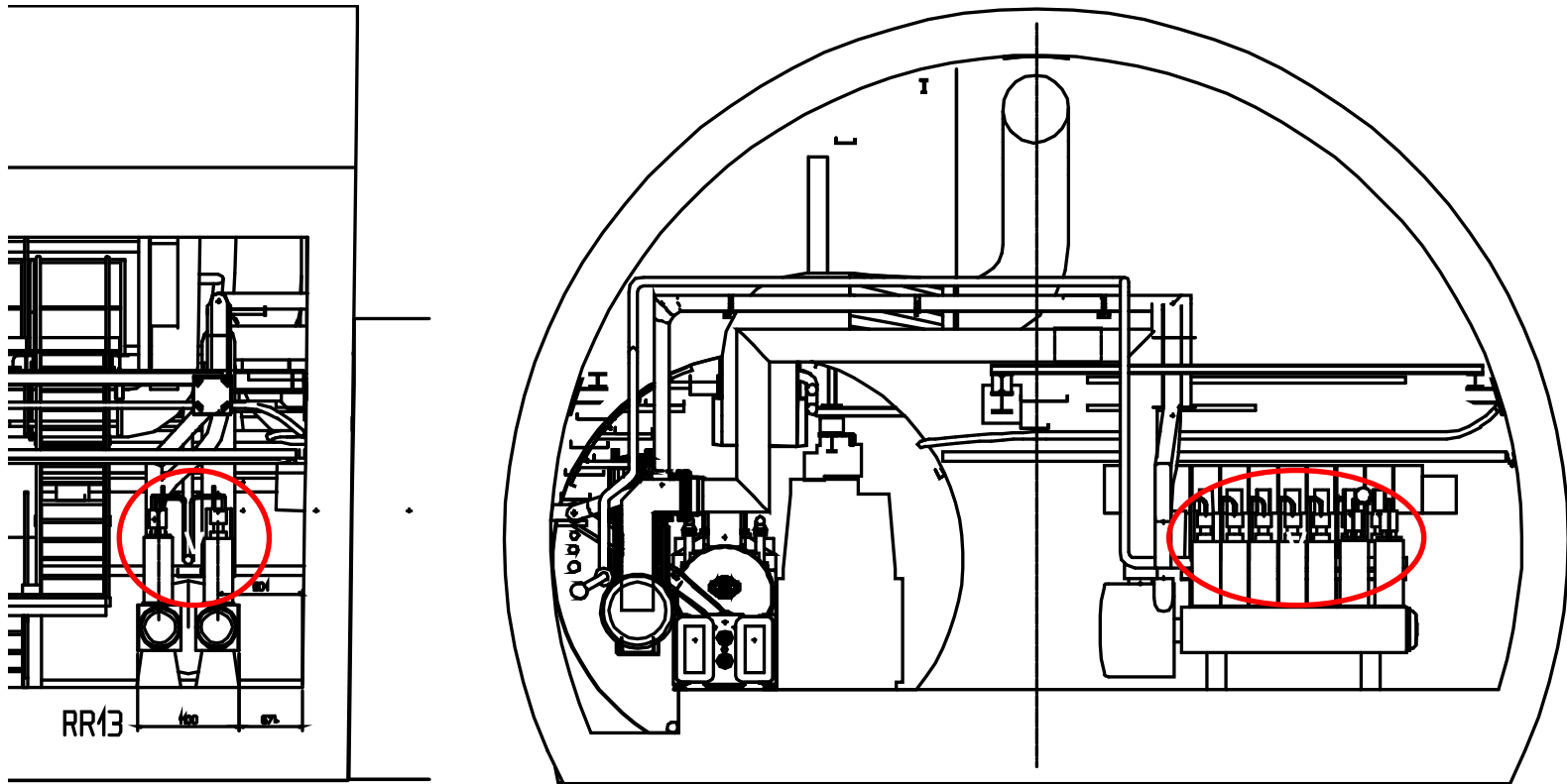
RI12



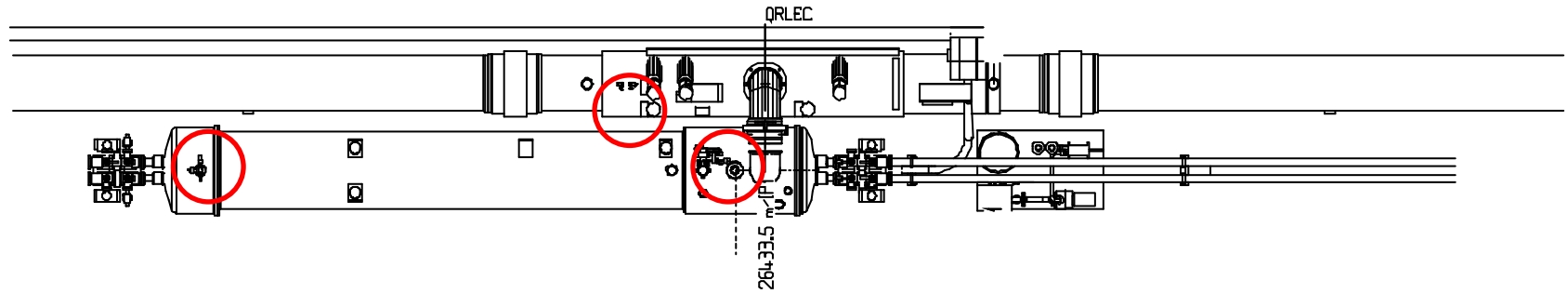
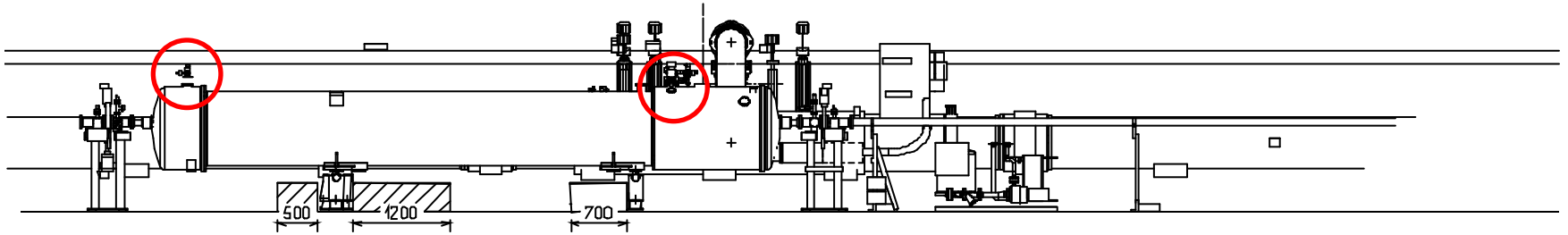
# DFBAA L1 DCUM 26408 m



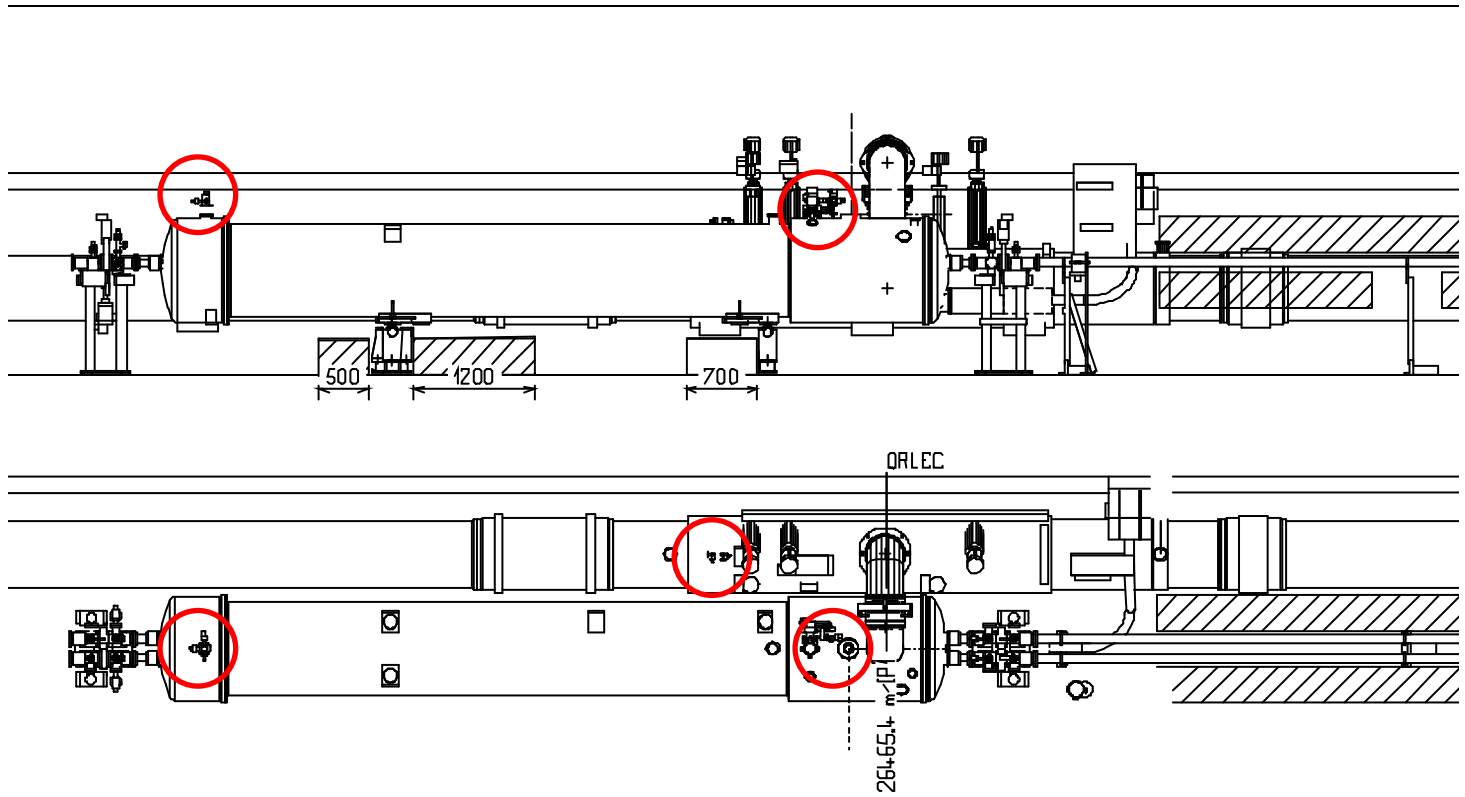
# DFBLA in RR13 DCUM 26408 m



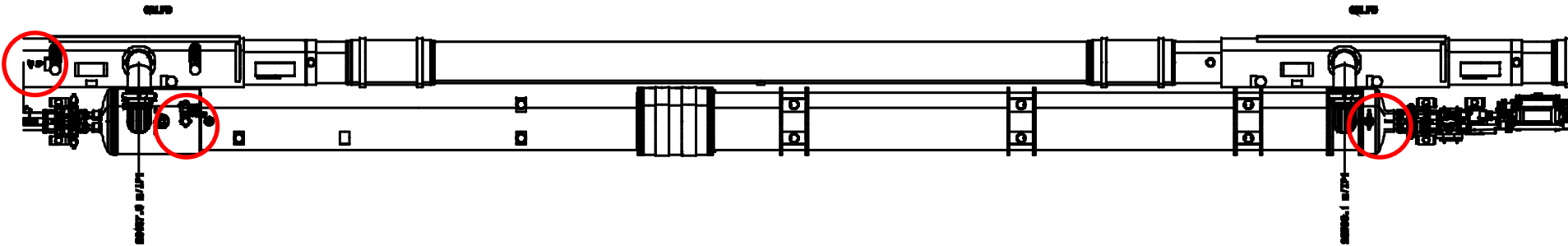
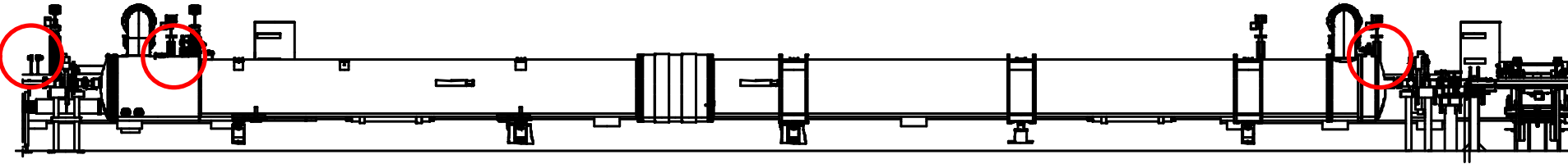
# Q6L1 DCUM 26434 m



# Q5L1 DCUM 26465 m



# Q4D2L1 DCUM 26487 m

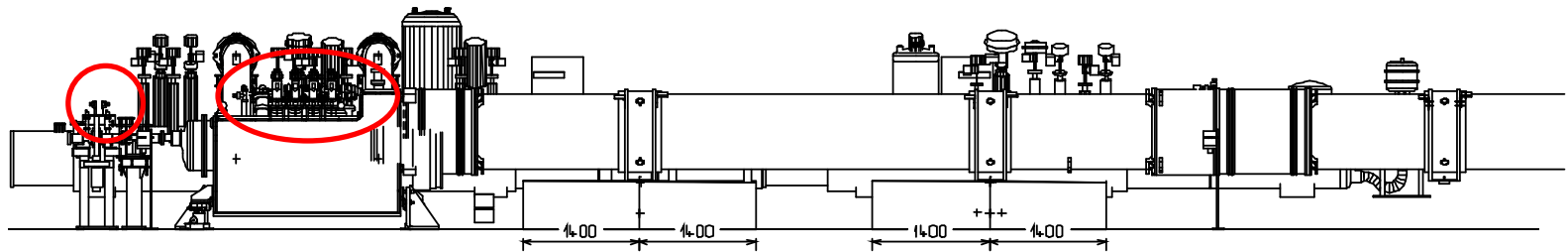


# DFBXA L1 DCUM 26604 m

## QRLID (Return module)

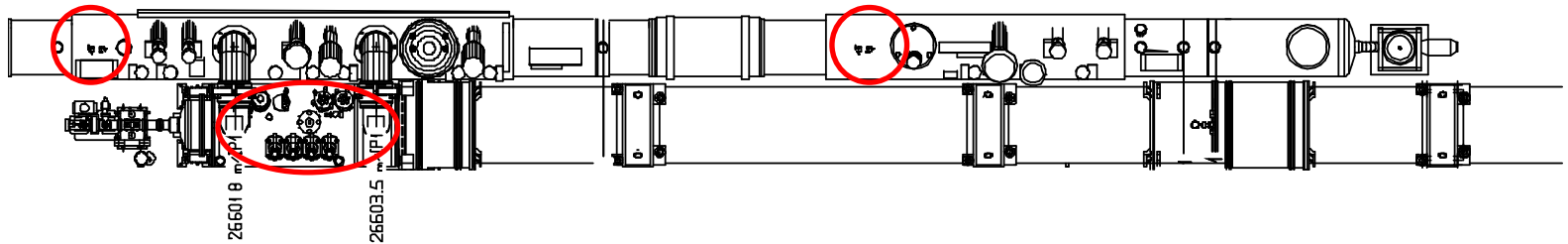
UJ13 UJ14

UJ14



QRLGA

QRLID



26601.8

26603.5